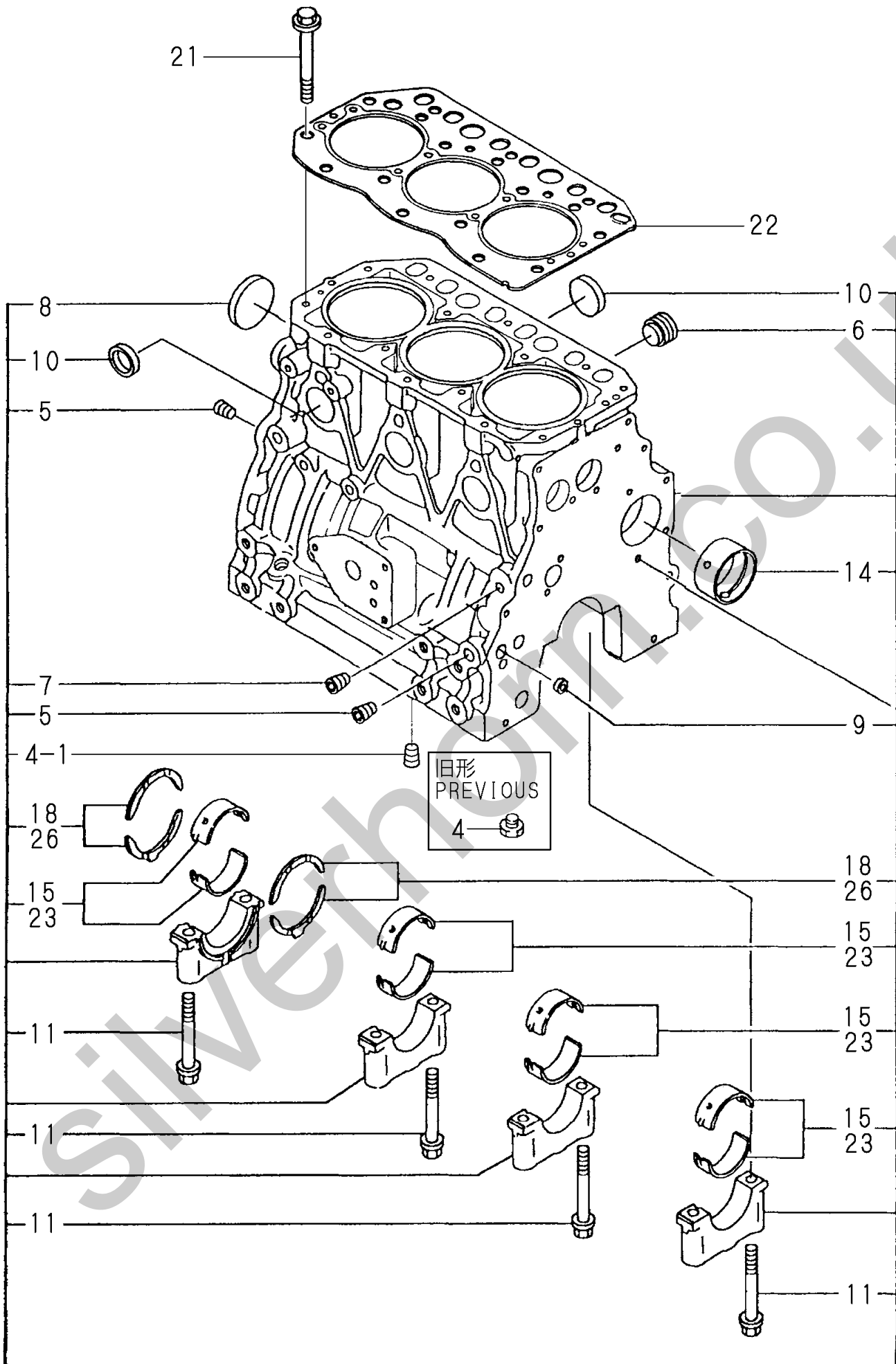


[Info]
PcNo=Y00B5914
PcName=3TNE82A-(E)BVA
JpnUse=1
JpnSec1=fGf`fWf`
JpnSec2=-§ -
JpnSec3=TNE
JpnPreface=0
EngUse=1
EngSec1=ENGINE
EngSec2=SMALL VERTICAL (ViO)
EngSec3=TNE
EngPreface=0

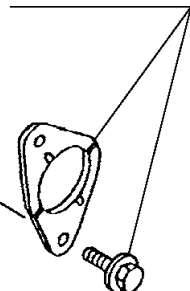
Silverhorn.CO.UK

1,1,,719813-01560,, "BLOCK ASSY, CYLINDER",1,1,,,,,,,,,,,,,
4,3,,23887-120002,, "PLUG 12,HEX.",1,,,,,,,,,,,,,
4-1,3,,124160-01910,, "PLUG PT1/4",1,1,,,,,S,,TE-97382,E/#43600,,,,,,,,,
5,3,,124160-01910,, "PLUG PT1/4",2,2,,,,,,,,,,,,,
6,3,,171051-01921,, PLUG,1,1,,,,,,,,,,,,,
7,3,,23871-010000,, "PLUG PT1/8,SCREW",1,,,,,,,,,,,,,
7-1,3,,23876-010000,, "PLUG PT1/8,SCREW",1,1,,,,,N,,GZ-99001,E/#51603,,,,,,,,,
8,3,,27231-500000,, "PLUG 50",1,,,,,,,,,,,,,
8-1,3,,129001-01250,, "PLUG 50",1,1,,,,,N,,TN-99126,E/#53737,,,,,,,,,
9,3,,27241-120000,, "PLUG 12",2,2,,,,,,,,,,,,,
10,3,,27241-300000,, "PLUG 30",6,6,,,,,,,,,,,,,
11,3,,119620-02020,, BOLT,8,8,,,,,,,,,,,,,
14,3,,129795-02411,, "BUSH, CAMSHAFT",1,1,,,,,,,,,,,,,
15,2,,119810-02800,, "MAIN BEARING",4,4,,,,,,,,,,,,,
18,2,,119810-02930,, "BEARING, THRUST",1,1,,,,,,,,,,,,,I
21,1,,119810-01200,, "BOLT, CYL. HEAD",14,14,,,,,,,,,,,,,
22,1,,119812-01330,, "GASKET, HEAD",1,1,,,,,,,,,,,,,
23,1,,119810-02870,, "MAIN BEARING US=0.25",4,4,,,,,1,,,,,,,,,
26,1,,119810-02940,, "BEARING,THRUST .25OS",4,4,,,,,2,,,,,,,,,

Silverhorn.CO.UK

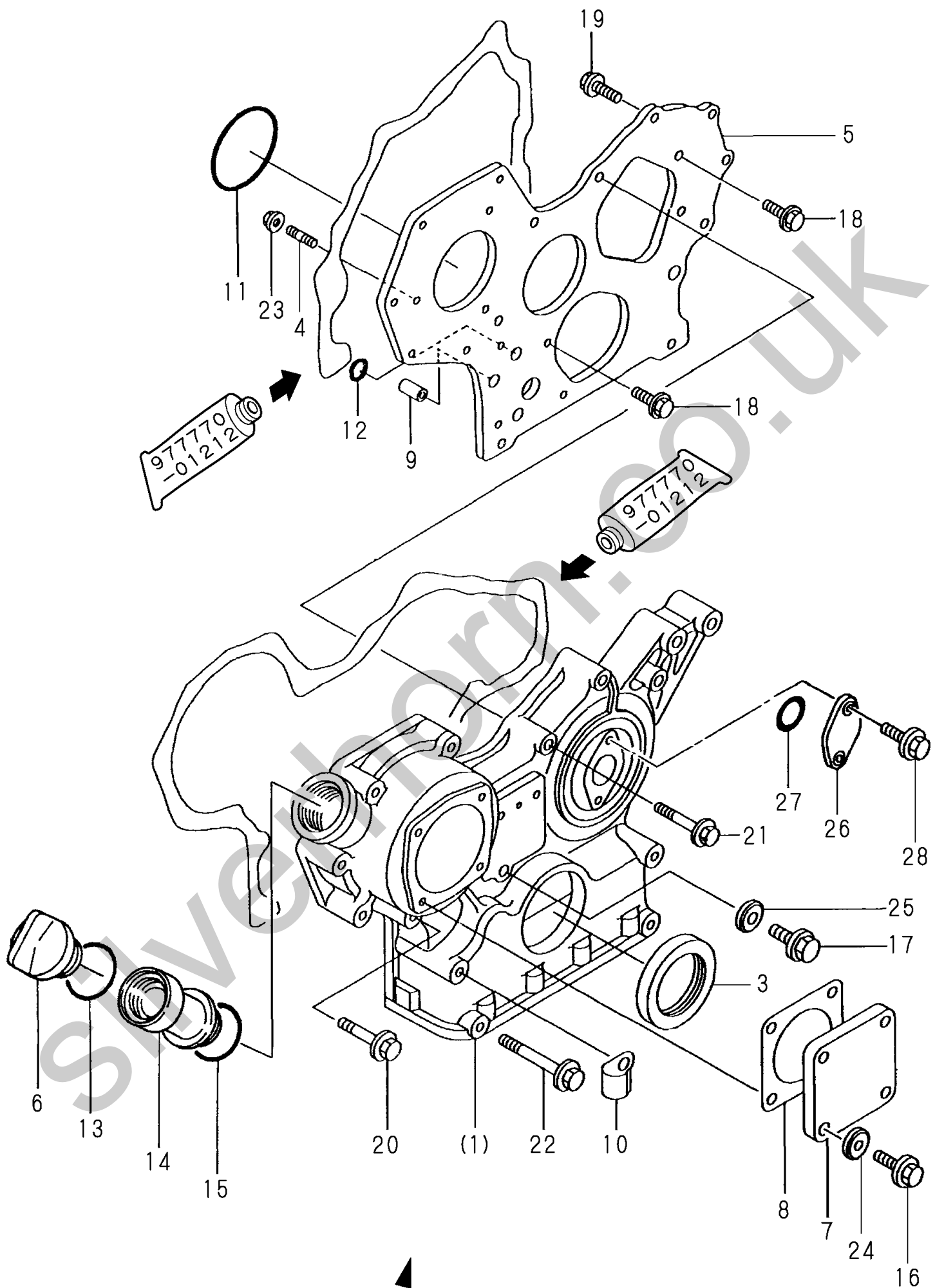


REFER TO Fig. 6



旧形
 PREVIOUS
 4 —

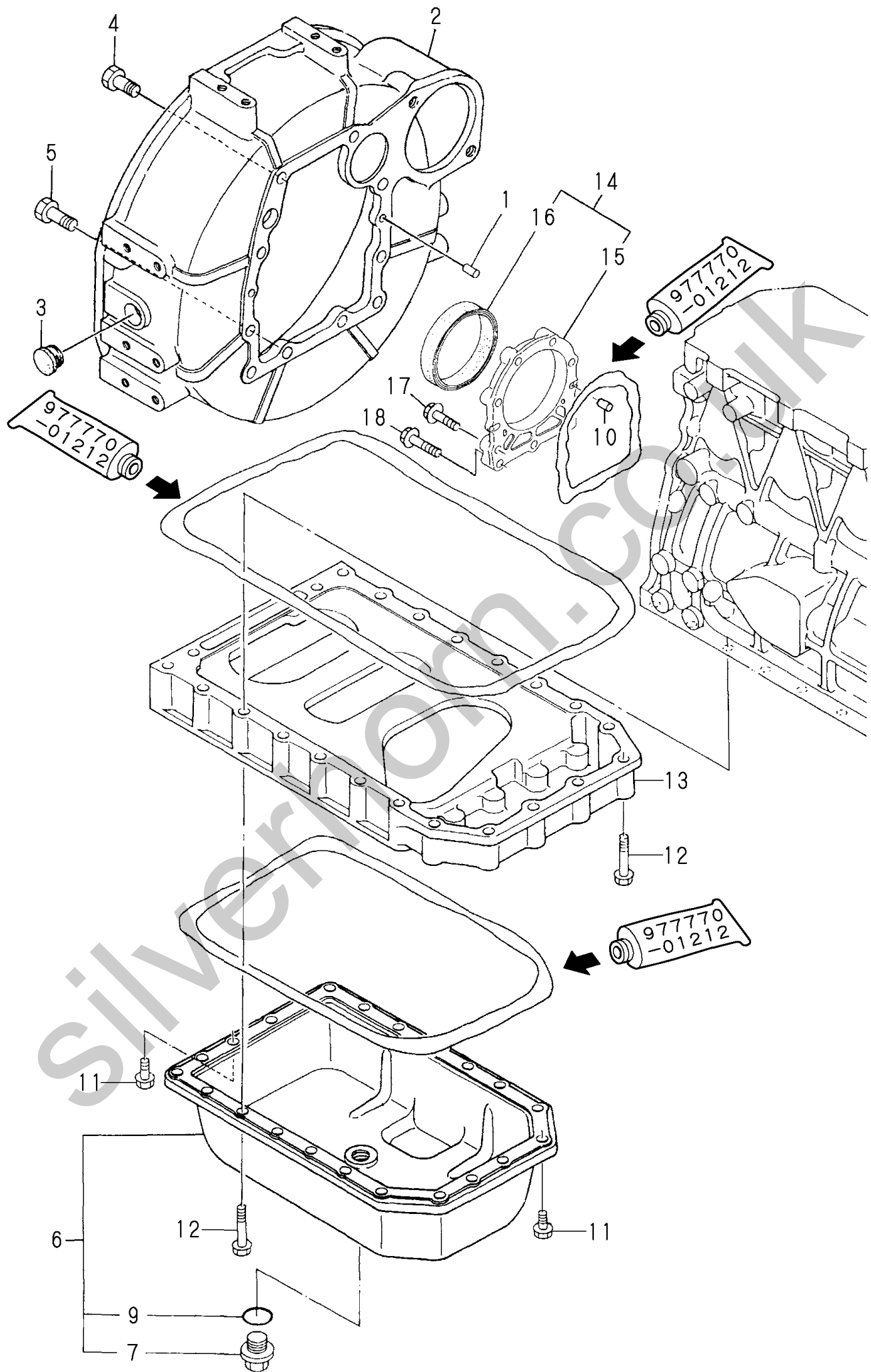
1,1,,719810-01500,, "HOUSING ASSY, GEAR",1,1,,,,,,,,,,,,,
3,2,,129795-01800,, "SEAL, OIL",1,1,,,,,,,,,,,,,
4,2,,121450-01560,, "STUD M 8X 22",3,3,,,,,,,,,,,,,
5,1,,129400-01520,, "FLANGE,GEARS HOUSING",1,1,,,,,,,,,,,,,
6,1,,124160-01751,, "COVER,FILLER",1,1,,,,,,,,,,,,,
7,1,,124240-01871,, "COVER, HO-P",1,1,,,,,,,,,,,,,
8,1,,124240-01883,, "GASKET, (NON-ASB.)",1,1,,,,,,,,,,,,,
9,1,,129795-01950,, "PIPE, KNOCK L=18",2,2,,,,,,,,,,,,,
10,1,,129150-03100,, "RETAINER,1,1",1,1,,,,,,,,,,,,,
11,1,,121850-51960,, "O-RING, F.I.PUMP",1,1,,,,,,,,,,,,,
12,1,,24311-000160,, "O-RING 1A P-16.0",2,2,,,,,,,,,,,,,
12-1,1,,119609-32040,, "O-RING P16",2,2,,,,,R,,TE-01299,E/#56010,TE-
01299,E/#75066,,,,,,I
13,1,,24311-000320,, "O-RING 1A P-32.0",1,1,,,,,,,,,,,,,
14,1,,171031-11741,, "PIPE,1,1",1,1,,,,,,,,,,,,,
15,1,,24311-000320,, "O-RING 1A P-32.0",1,1,,,,,,,,,,,,,
16,1,,26106-080122,, "BOLT M 8X 12 PLATED",4,4,,,,,,,,,,,,,
17,1,,26106-080162,, "BOLT M 8X 16 PLATED",1,1,,,,,,,,,,,,,
18,1,,26106-080162,, "BOLT M 8X 16 PLATED",3,3,,,,,,,,,,,,,
19,1,,26106-080202,, "BOLT M 8X 20 PLATED",2,2,,,,,,,,,,,,,
20,1,,26106-080452,, "BOLT M 8X 45 PLATED",6,6,,,,,,,,,,,,,
21,1,,26106-080552,, "BOLT M 8X 55 PLATED",3,3,,,,,,,,,,,,,
22,1,,26106-080852,, "BOLT M 8X 85 PLATED",4,,,,,,,,,,,,,
22-1,1,,129001-91840,, "BOLT M 8X 85 PLATED",4,,,,,R,,TE-97594,E/#43673,,,,,,
22-2,1,,129001-91841,, "BOLT M 8X 85 PLATED",4,4,,,,,R,,TE-
00059,E/#56069,,,,,,
23,1,,26366-080002,, "NUT M 8",3,3,,,,,,,,,,,,,
23-1,1,,26306-080002,, "NUT,3,3,,,,,R,,JH-01017,E/#56010,JH-
01017,E/#75066,,,,,,I
24,1,,22190-080002,, "SEAL WASHER 8S",4,4,,,,,,,,,,,,,
25,1,,22190-080002,, "SEAL WASHER 8S",1,1,,,,,,,,,,,,,
26,1,,121023-01550,, "COVER, BLIND",1,1,,,,,,,,,,,,,
27,1,,24341-000240,, "O-RING 1A S-24.0",1,1,,,,,,,,,,,,,
28,1,,26106-060122,, "BOLT M 6X 12 PLATED",2,,,,,,,,,,,,,
28-1,1,,26106-060162,, "BOLT M 6X 16 PLATED",2,2,,,,,N,*EXXX,,,,,,



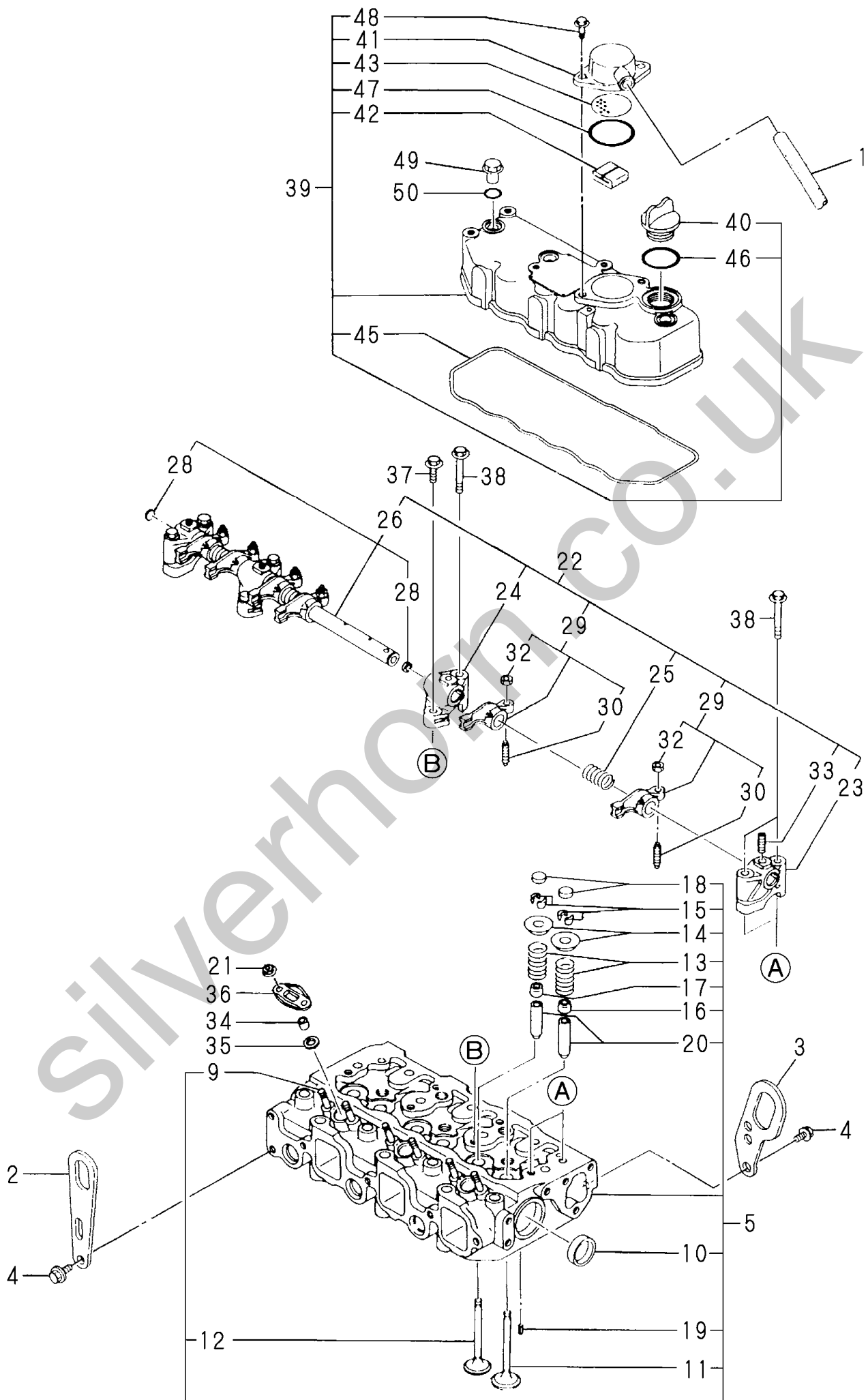
1 inc. (1) ~ 4

1,1,,129100-01580,, "PARALLEL PIN 8X16",2,2,,,,,,,,,,,,,,,,,
2,1,,171301-01600,, "HOUSING, FLYWHEEL",1,,,,,,,,,,,,,,,,,
2-1,1,,129612-01600,, "HOUSING,FLYWHEEL",1,1,,,,,R,,TE-97340,E/#42002,,,,,,,,,
3,1,,119620-01750,, "CAP, FLYWHEEL COVER",1,1,,,,,,,,,,,,,,,,,
4,1,,26206-100252,, "BOLT M10X25",6,6,,,,,,,,,,,,,,,,,
5,1,,26206-100302,, "BOLT M10X30",4,4,,,,,,,,,,,,,,,,,
6,1,,119810-01790,, "SUMP ASSY, OIL",1,1,,,,,,,,,,,,,,,,,
7,2,,119640-01640,, "DRAIN PLUG M22",1,1,,,,,,,,,,,,,,,,,
9,2,,22190-220002,, "SEAL WASHER 22S",1,1,,,,,,,,,,,,,,,,,
10,1,,129100-01580,, "PARALLEL PIN 8X16",2,2,,,,,,,,,,,,,,,,,
11,1,,26106-080162,, "BOLT M 8X 16 PLATED",6,6,,,,,,,,,,,,,,,,,
12,1,,26106-080452,, "BOLT M 8X 45 PLATED",22,22,,,,,,,,,,,,,,,,,
13,1,,119810-01730,, "SPACER, L.O. SUMP",1,1,,,,,,,,,,,,,,,,,
14,1,,719810-01650,, "CASE ASSY, OIL SEAL",1,1,,,,,,,,,,,,,,,,,
15,2,,119860-01650,, "CASE, OIL SEAL",1,1,,,,,,,,,,,,,,,,,
16,2,,119810-01780,, "SEAL, OIL",1,1,,,,,,,,,,,,,,,,,
17,1,,129486-01670,, "BOLT M8X30,COLLAR HD",6,6,,,,,,,,,,,,,,,,,
18,1,,26106-080352,, "BOLT M 8X 35 PLATED",3,3,,,,,,,,,,,,,,,,,

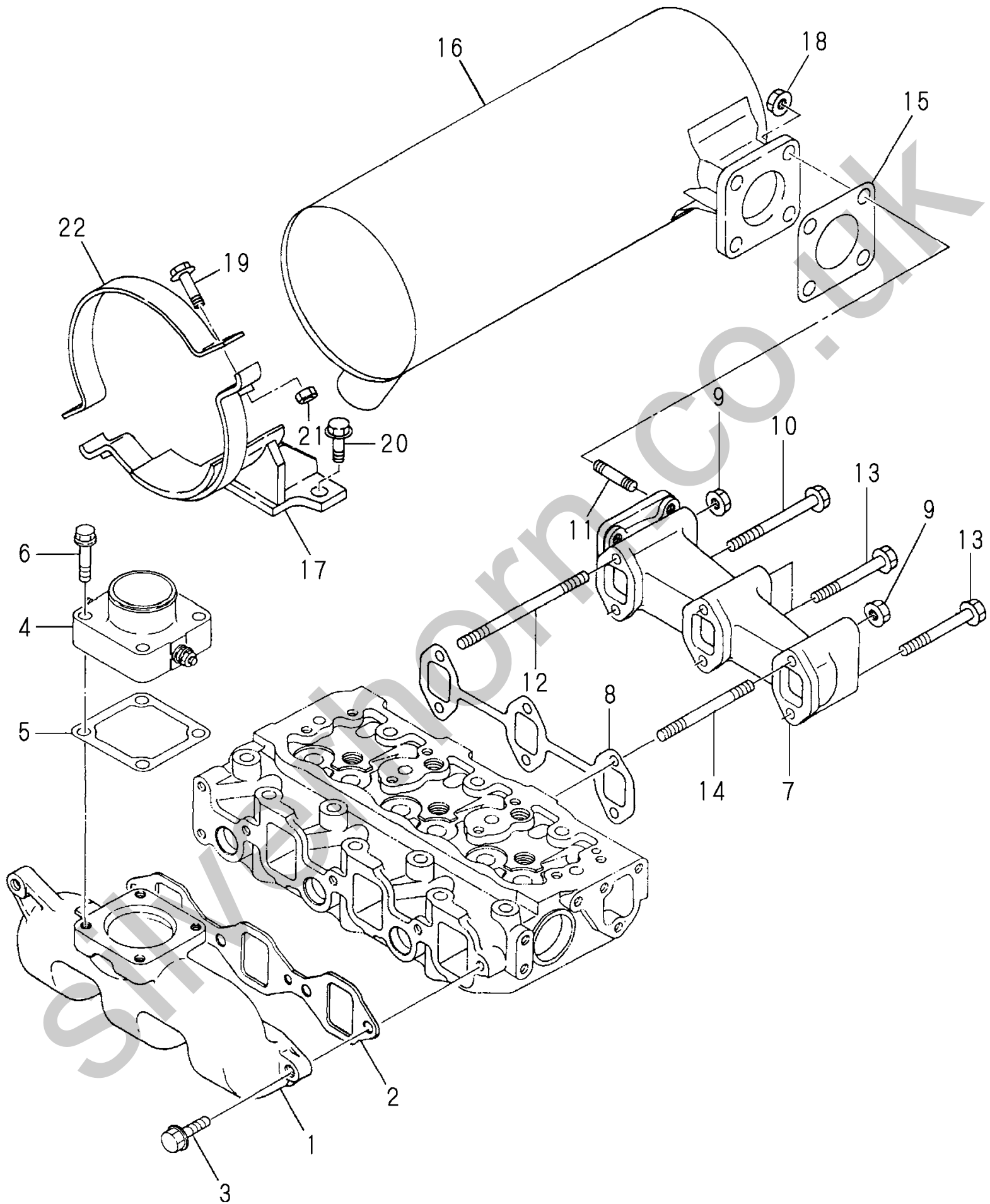
Silverhorn.CO.UK



1,1,,23065-160950,, "PIPE 16X 950",1,1,,,,,,,,,,,,,,,,,,,,,
2,1,,124736-07900,, "LIFTER, ENGINE",1,1,,,,,,,,,,,,,,,,,,,,,
3,1,,119260-07900,, "LIFTER, ENGINE",1,1,,,,,,,,,,,,,,,,,,,,,
4,1,,26106-080142,, "BOLT M 8X 14 PLATED",4,4,,,,,,,,,,,,,,,,,,,,,
5,1,,719812-11700,, "HEAD ASSY, CYLINDER",1,1,,,,,,,,,,,,,,,,,,,,,
9,2,,26216-060302,, "STUD M 6X 30 PLATED",6,6,,,,,,,,,,,,,,,,,,,,,
10,2,,27241-400000,, "PLUG 40",2,2,,,,,,,,,,,,,,,,,,,,,
11,2,,119810-11100,, "VALVE, SUCTION",3,3,,,,,,,,,,,,,,,,,,,,,
12,2,,119810-11110,, "VALVE, EXHAUST",3,3,,,,,,,,,,,,,,,,,,,,,
13,2,,119810-11120,, "SPRING, VALVE",6,6,,,,,,,,,,,,,,,,,,,,,
14,2,,104211-11180,, "RETAINER, SPRING",6,6,,,,,,,,,,,,,,,,,,,,,
15,2,,27310-070001,, "COTTER ASSY",6,6,,,,,,,,,,,,,,,,,,,,,
16,2,,124160-11340,, "SEAL, VALVE STEM",3,3,,,,,,,,,,,,,,,,,,,,,
17,2,,124950-11340,, "SEAL, VALVE STEM",3,3,,,,,,,,,,,,,,,,,,,,,
18,2,,104211-11370,, "CAP, VALVE",6,6,,,,,,,,,,,,,,,,,,,,,
19,2,,22351-060012,, "SPRING PIN 6X12",2,2,,,,,,,,,,,,,,,,,,,,,
20,1,,124060-11800,, "GUIDE, VALVE",6,6,,,,,1,,,,,,,,,,,,,
21,1,,26366-060002,, "NUT M 6",6,6,,,,,,,,,,,,,,,,,,,,,
22,1,,119865-11210,, "SUPPORT ASSY, ROCKER",1,1,,,,,,,,,,,,,,,,,,,,,
23,2,,129155-11260,, "SUPPORT, ROCKER ARM",2,2,,,,,,,,,,,,,,,,,,,,,
24,2,,129155-11270,, "SUPPORT, ROCKER ARM",2,2,,,,,,,,,,,,,,,,,,,,,
25,2,,129150-11280,, "SPRING",3,3,,,,,,,,,,,,,,,,,,,,,
26,2,,119810-11240,, "SHAFT, ROCKER ARM",1,1,,,,,,,,,,,,,,,,,,,,,
28,3,,27241-100000,, "PLUG 10",2,2,,,,,,,,,,,,,,,,,,,,,
29,2,,719810-11660,, "ARM ASSY, ROCKER",6,6,,,,,,,,,,,,,,,,,,,,,
30,3,,129150-11230,, "SCREW, VALVE",6,6,,,,,,,,,,,,,,,,,,,,,
32,3,,129150-11750,, "NUT M8XP1.0",6,6,,,,,,,,,,,,,,,,,,,,,
33,2,,26226-080182,, "STUD M 8X 18 PLATED",3,3,,,,,,,,,,,,,,,,,,,,,
33-1,2,,119802-11280,, "STUD",3,3,,,,,R,,TE-01429,E/#56010,TE-
01429,E/#75066,,,,,,,,,I
34,1,,119625-11871,, "PROTECTOR, NOZZLE",3,,,,,,,,,,,,,,,,,,,,,
34-1,1,,119625-11870,, "PROTECTOR, NOZZLE",3,3,,,,,N,,TE-97605,E/#43600,,,,,,,,,
35,1,,119625-11880,, "SEAT, NOZZLE",3,3,,,,,,,,,,,,,,,,,,,,,
36,1,,119625-11900,, "RETAINER",3,3,,,,,,,,,,,,,,,,,,,,,
37,1,,26106-080252,, "BOLT M 8X 25 PLATED",2,2,,,,,,,,,,,,,,,,,,,,,
38,1,,26106-080502,, "BOLT M 8X 50 PLATED",6,6,,,,,,,,,,,,,,,,,,,,,
39,1,,719810-11520,, "BONNET ASSY, HEAD",1,,,,,,,,,,,,,,,,,,,,,
39-1,1,,719810-11521,, "BONNET ASSY",1,1,,,,,N,,TN-99183,E/#53489,,,,,,,,,
40,2,,124160-01751,, "COVER, FILLER",1,1,,,,,,,,,,,,,,,,,,,,,
41,2,,129150-03020,, "COVER, BREATHER",1,1,,,,,,,,,,,,,,,,,,,,,
42,2,,129150-03070,, "BAFFLE, BREATHER",1,1,,,,,,,,,,,,,,,,,,,,,
43,2,,129150-03080,, "PLATE, SHELTER",1,1,,,,,,,,,,,,,,,,,,,,,
45,2,,119865-11310,, "GASKET, BONNET",1,1,,,,,,,,,,,,,,,,,,,,,
46,2,,24311-000320,, "O-RING 1A P-32.0",1,1,,,,,,,,,,,,,,,,,,,,,
47,2,,24341-000500,, "O-RING 1A S-50.0",1,1,,,,,,,,,,,,,,,,,,,,,
48,2,,26106-080162,, "BOLT M 8X 16 PLATED",2,2,,,,,,,,,,,,,,,,,,,,,
49,1,,124160-11360,, "KNOB",3,3,,,,,,,,,,,,,,,,,,,,,
50,1,,24311-000120,, "O-RING 1A P 12.0",3,3,,,,,,,,,,,,,,,,,,,,,

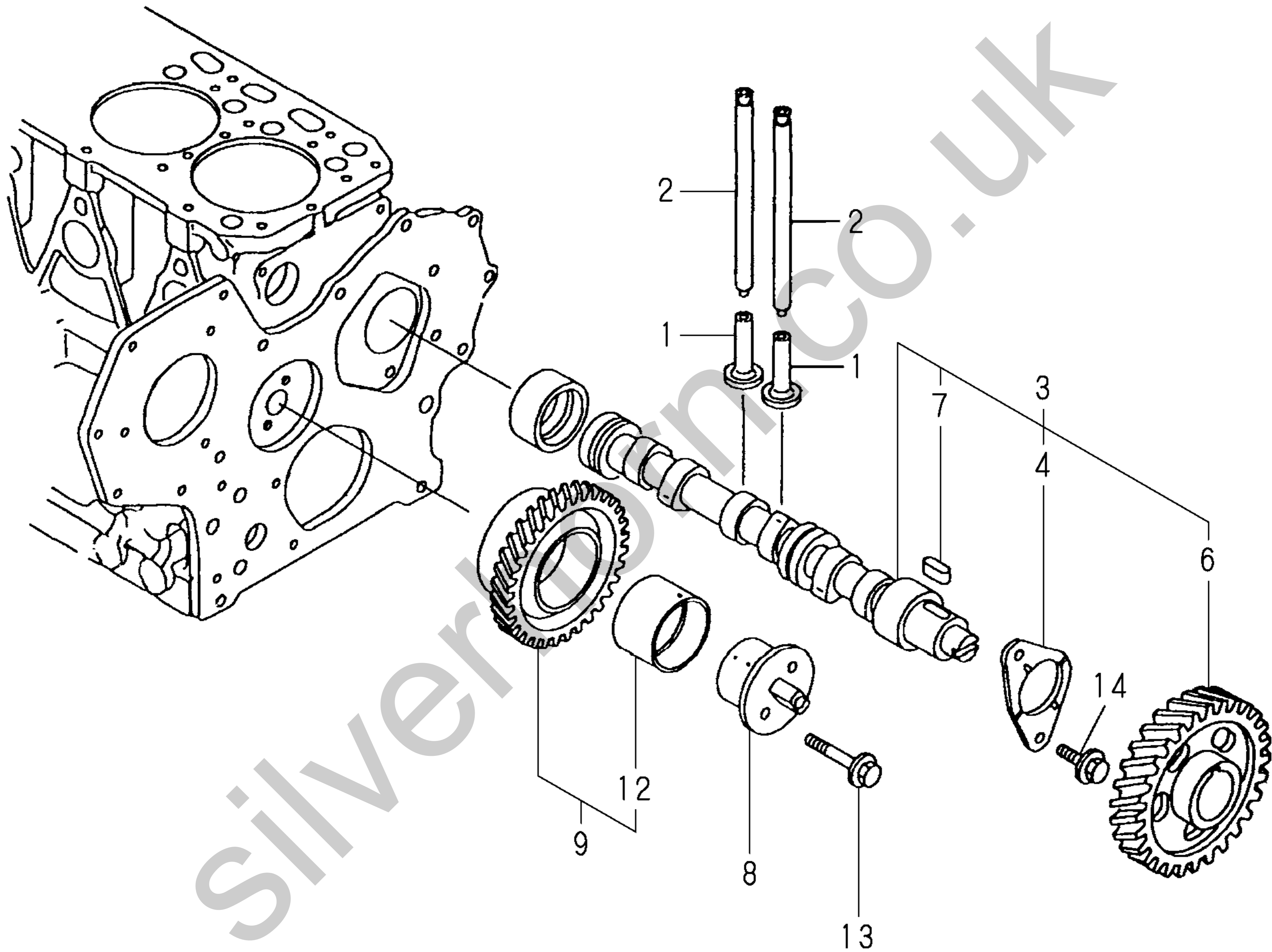


1,1,,119810-12100,, "MANIFOLD, SUCTION",1,1,,,,,,,,,,,,,
1-1,1,,119810-12101,, "MANIFOLD, INTAKE",1,1,,,,,R,,TE-02222,E/#56010,TE-
02222,E/#75067,,,,,,,,,I
2,1,,119810-12111,, "GASKET, (NON-ASB.)",1,1,,,,,,,,,,,,,
3,1,,26106-080252,, "BOLT M 8X 25 PLATED",4,4,,,,,,,,,,,,,
4,1,,129120-77501,, "HEATER, AIR",1,1,,,,,,,,,,,,,
5,1,,129150-77511,, "GASKET, (NON-ASB.)",1,1,,,,,,,,,,,,,
6,1,,26106-080352,, "BOLT M 8X 35 PLATED",4,4,,,,,,,,,,,,,
7,1,,119840-13100,, "MANIFOLD,EXHAUST",1,1,,,,,,,,,,,,,
8,1,,119810-13110,, "GASKET, EXH.MANIFOLD",1,1,,,,,,,,,,,,,
9,1,,194990-22050,, "NUT W/WASHER 8",2,,,,,,,,,,,,,
9-1,1,,26366-080002,, "NUT M 8",2,2,,,,,R,,TE-98187,E/#44525,,,,,,,,,
9-2,1,,26306-080002,, NUT,2,2,,,,,R,,JH-01017,E/#56010,JH-
01017,E/#75066,,,,,,,,,I
10,1,,26106-080802,, "BOLT M 8X 80 PLATED",1,1,,,,,,,,,,,,,
10-1,1,,123900-13630,, "BOLT 8X80",1,1,,,,,N,,TE-02073,E/#56010,TE-
02073,E/#75067,,,,,,,,,I
11,1,,26216-080222,, "STUD M 8X 22 PLATED",4,,,,,,,,,,,,,
11-1,1,,119131-18320,, "BOLT M 8X 22",4,4,,,,,N,,TE-97467,E/#42929,,,,,,,,,
12,1,,26216-080802,, "STUD M 8X 80 PLATED",1,1,,,,,,,,,,,,,
12-1,1,,123900-13610,, "STUD BOLT M 8X 80",1,1,,,,,N,,TE-02073,E/#56010,TE-
02073,E/#75067,,,,,,,,,I
13,1,,26106-080602,, "BOLT M 8X 60 PLATED",3,3,,,,,,,,,,,,,
13-1,1,,119802-13640,, "BOLT, M8X60",3,3,,,,,N,,TE-02073,E/#56010,TE-
02073,E/#75067,,,,,,,,,I
14,1,,26216-080602,, "STUD M 8X 60 PLATED",1,1,,,,,,,,,,,,,
14-1,1,,119802-13740,, "STUD M 8X 60",1,1,,,,,N,,TE-02073,E/#56010,TE-
02073,E/#75067,,,,,,,,,I
15,1,,124701-11911,, "GASKET, (NON-ASB.)",1,1,,,,,,,,,,,,,
16,1,,119833-13520,, SILENCER,1,,,,,,,,,,,,,
16-1,1,,119833-13521,, SILENCER,1,1,,,,,N,,TE-97262,E/#41546,,,,,,,,,
17,1,,119833-13610,, "STAY,SILENCER",1,,,,,,,,,,,,,
17-1,1,,119833-13611,, "STAY,SILENCER",1,1,,,,,N,,TE-97198,E/#40630,,,,,,,,,
18,1,,194990-22050,, "NUT W/WASHER 8",4,,,,,,,,,,,,,
18-1,1,,26366-080002,, "NUT M 8",4,4,,,,,R,,TE-98187,E/#44525,,,,,,,,,
18-2,1,,26306-080002,, NUT,4,4,,,,,R,,JH-01017,E/#56010,JH-
01017,E/#75066,,,,,,,,,I
19,1,,26106-080252,, "BOLT M 8X 25 PLATED",2,2,,,,,,,,,,,,,
20,1,,26106-100182,, "BOLT M10X 18 PLATED",2,2,,,,,,,,,,,,,
21,1,,194990-22050,, "NUT W/WASHER 8",2,,,,,,,,,,,,,
21-1,1,,26366-080002,, "NUT M 8",2,2,,,,,R,,TE-98187,E/#44525,,,,,,,,,
21-2,1,,26306-080002,, NUT,2,2,,,,,R,,JH-01017,E/#56010,JH-
01017,E/#75066,,,,,,,,,I
22,1,,119888-13670,, "BAND (UPPER)",1,1,,,,,,,,,,,,,



1,1,,129150-14200,,TAPPET,6,6,,,,,,,,,,,,,,,,,,,,,
2,1,,119810-14400,,,"ROD, PUSH",6,6,,,,,,,,,,,,,,,,,,,,,
3,1,,119810-14580,,,"CAMSHAFT ASSY",1,1,,,,,,,,,,,,,,,,,,,,,
4,2,,129150-02450,,,"METAL,THRUST(CAM",1,1,,,,,,,,,,,,,,,,,,,,,
6,2,,129150-14101,,,"GEAR, CAMSHAFT",1,1,,,,,,,,,,,,,,,,,,,,,
7,2,,22512-070140,,,"KEY 7X 14",1,1,,,,,,,,,,,,,,,,,,,,,
8,1,,129100-25061,,,"SHAFT, IDLE GEAR",1,1,,,,,,,,,,,,,,,,,,,,,
9,1,,129150-25101,,,"GEAR W/BUSH",1,1,,,,,,,,,,,,,,,,,,,,,
12,1,,129150-25920,,,"BUSH, IDLE GEAR",1,1,,,,,,,,,1,,,,,,,,,,,,,
13,1,,26106-080452,,,"BOLT M 8X 45 PLATED",2,2,,,,,,,,,,,,,,,,,,,,,
14,1,,26106-080142,,,"BOLT M 8X 14 PLATED",2,2,,,,,,,,,,,,,,,,,,,,,

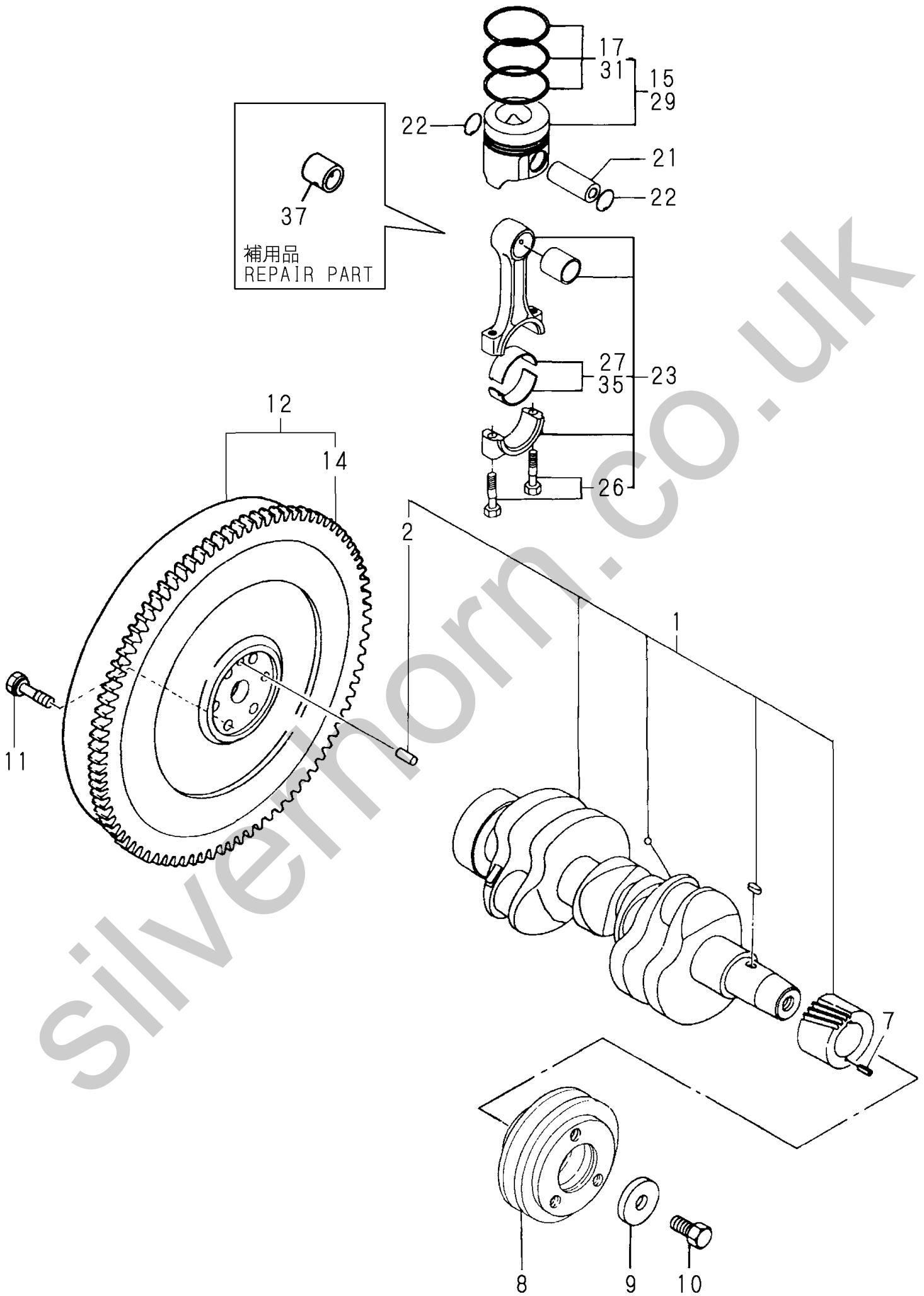
Silverhorn.CO.UK



1,1,,119813-21000,, "CRANKSHAFT ASSY",1,1,,,,,,,,,,,,,,,,,
 2,2,,129100-01580,, "PARALLEL PIN 8X16",1,1,,,,,,,,,,,,,,,,,
 7,1,,22351-040010,, "SPRING PIN 4X10",1,1,,,,,,,,,,,,,,,,,
 8,1,,171301-21650,, "V-PULLEY, CRANKSHAFT",1,1,,,,,,,,,,,,,,,,,
 9,1,,129795-21661,, "WASHER",1,1,,,,,,,,,,,,,,,,,
 10,1,,121850-21680,, "BOLT, V-PULLEY",1,1,,,,,,,,,,,,,,,,,
 11,1,,121111-21501,, "BOLT, FLYWHEEL",6,6,,,,,,,,,,,,,,,,,
 12,1,,171325-21590,, "FLYWHEEL W/GEAR",1,1,,,,,,,,,,,,,,,,,
 14,2,,119865-21600,, "GEAR, RING",1,1,,,,,,,,,,,,,,,,,
 15,1,,119813-22080,, "PISTON ASSY",3,3,,,,,,,,,,,,,,,,,
 17,2,,119813-22500,, "RING SET, PISTON",3,3,,,,,,,,,,,,,,,,,
 21,1,,119813-22300,, "PIN, PISTON",3,3,,,,,,,,,,,,,,,,,
 22,1,,129792-22400,, "CIRCLIP 23",6,6,,,,,,,,,,,,,,,,,
 23,1,,719810-23100,, "ROD ASSY, CONNECTING",3,3,,,,,,,,,,,,,,,,,
 26,2,,119810-23200,, "BOLT, CONNECTING ROD",6,6,,,,,,,,,,,,,,,,,
 27,2,,119810-23600,, "BEARING, CRANKPIN",3,3,,,,,,,,,,,,,,,,,
 29,1,,119813-22900,, "PISTON W/RING OS=.25",3,3,,,,,1,,,,,,,,,
 31,2,,129003-22950,, "RING SET O.S=0.25",3,3,,,,,1,,,,,,,,,
 35,1,,119810-23610,, "BEARING, PIN U.S=0.25",3,3,,,,,2,,,,,,,,,
 37,1,,119810-23910,, "BUSH, PISTON PIN",3,3,,,,,3,,,,,,,,,

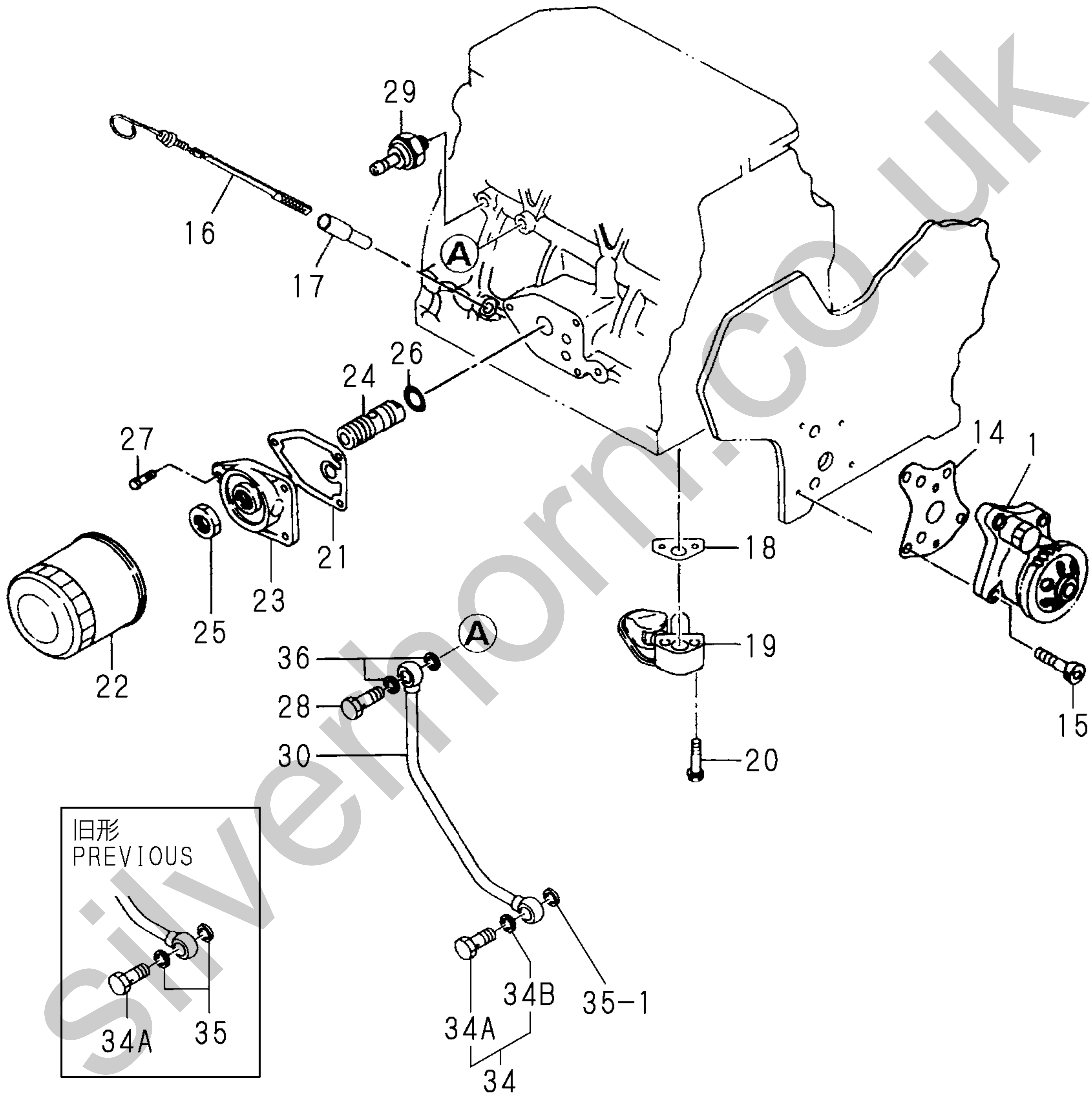
Silverhorn.CO.UK

37
補用品
REPAIR PART



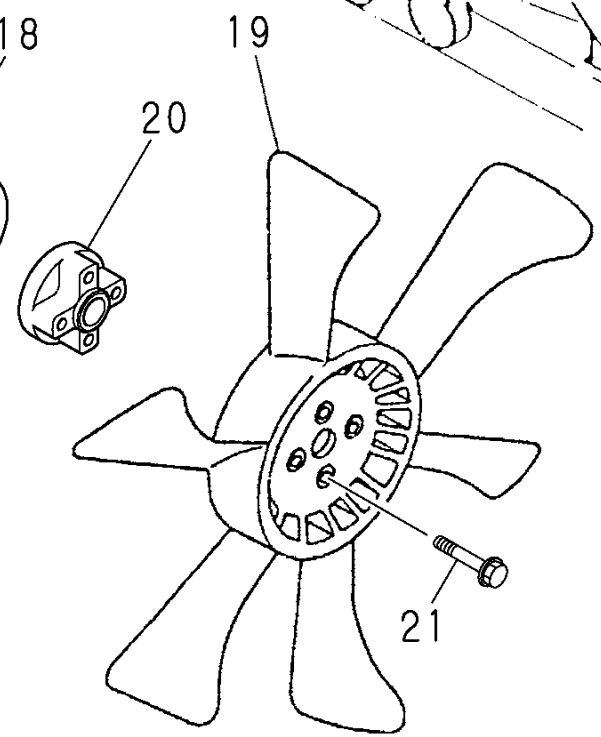
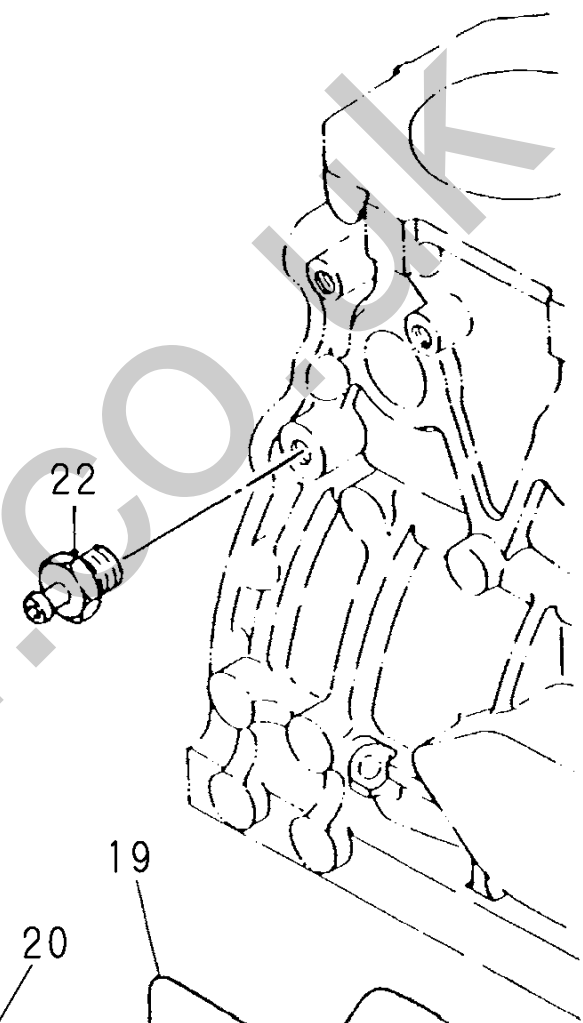
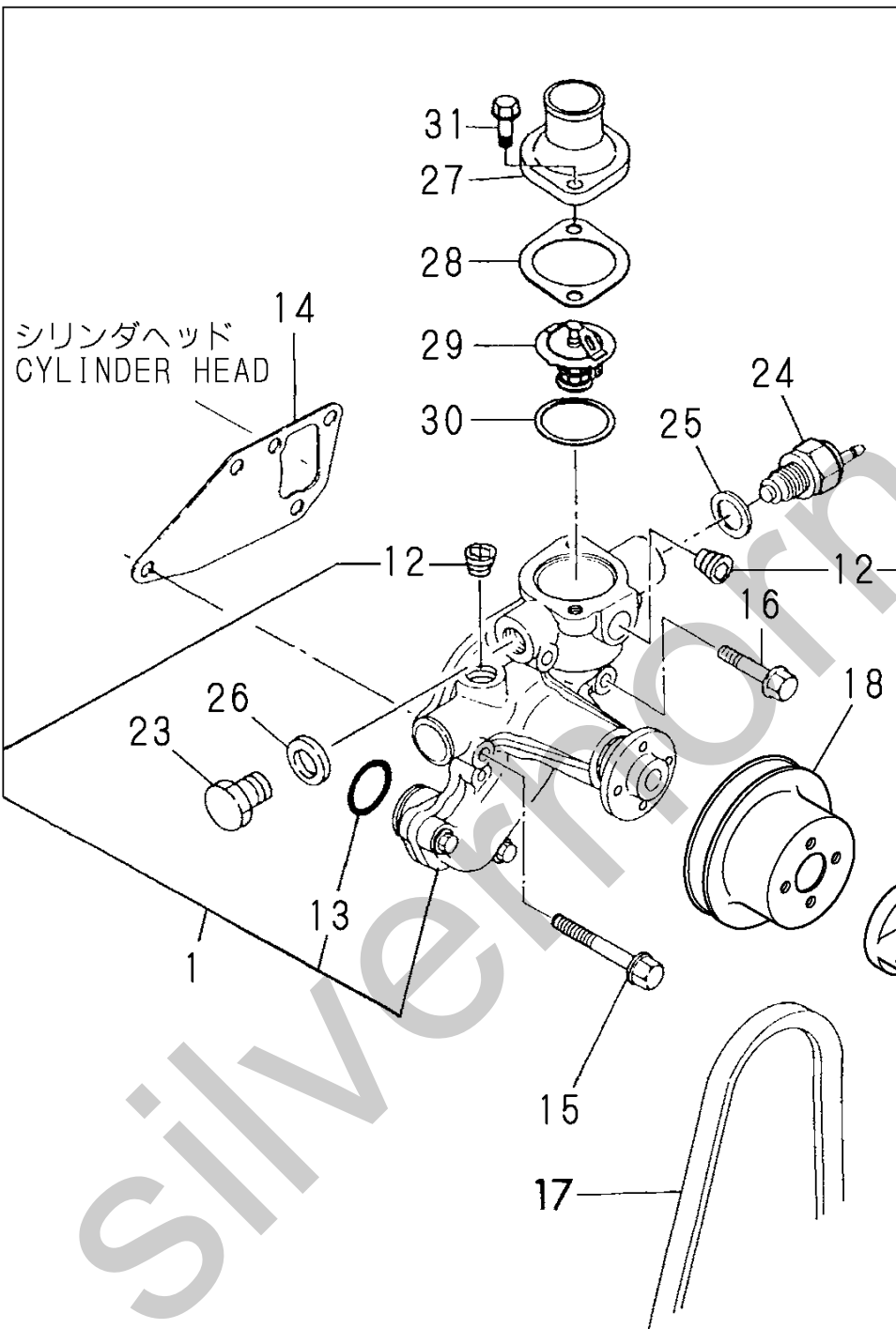
1,1,,129001-32001,, "PUMP ASSY, LUB. OIL",1,1,,,,,,,,,,,,,
 14,1,,129150-32020,, "GASKET, L.O. PUMP",1,1,,,,,,,,,,,,,
 15,1,,26450-060252,, "BOLT M 6X 25",4,4,,,,,,,,,,,,,
 16,1,,119640-34800,, "DIPSTIC",1,1,,,,,,,,,,,,,
 17,1,,121520-34810,, "GUIDE, DIPSTICK",1,1,,,,,,,,,,,,,
 18,1,,129150-35041,, "GASKET, (NON-ASB.)",1,1,,,,,,,,,,,,,
 19,1,,119810-35401,, "PIPE ASSY, OIL INLET",1,1,,,,,,,,,,,,,
 20,1,,26106-080352,, "BOLT M 8X 35 PLATED",2,2,,,,,,,,,,,,,
 21,1,,129150-35111,, "GASKET, (NON-ASB.)",1,1,,,,,,,,,,,,,
 22,1,,129150-35151,, "FILTER 80X80L",1,1,,,,,,,,,,,,,
 23,1,,129150-35101,, "BRACKET, STRAINER",1,1,,,,,,,,,,,,,
 24,1,,129001-35300,, "BOLT,LUB.O. STRAINER",1,1,,,,,,,,,,,,,
 25,1,,129150-35350,, "NUT",1,1,,,,,,,,,,,,,
 26,1,,24311-000160,, "O-RING 1A P-16.0",1,1,,,,,,,,,,,,,
 27,1,,26106-080202,, "BOLT M 8X 20 PLATED",3,3,,,,,,,,,,,,,
 28,1,,124160-39140,, "BOLT 10, PIPE JOINT",1,1,,,,,,,,,,,,,
 29,1,,124160-39450,, "SWITCH, OIL PRESSURE",1,,,,,,,,,,,,,
 29-1,1,,114250-39450,, "SWITCH,(0.5KG)L.O.",1,1,,,,,N,,TN-99263,E/#55535,,,,,
 30,1,,119810-39200,, "PIPE ASSY, LUB. OIL",1,1,,,,,,,,,,,,,
 34,1,,124550-59830,, "BOLT W/ SEAL WASHER",1,1,,,,,W,,TE-98875,E/#48153,,,,,
 34A,2,,124550-59820,, "BOLT 8, PIPE JOINT",1,1,,,,,,,,,,,,,
 34B,2,,22190-080002,, "SEAL WASHER 8S",1,1,,,,,W,,TE-98875,E/#48153,,,,,
 35,1,,22190-080002,, "SEAL WASHER 8S",2,,,,,,,,,,,,,
 35-1,1,,22190-080002,, "SEAL WASHER 8S",1,1,,,,,K,,TE-98875,E/#48153,,,,,
 36,1,,23414-100000,, "GASKET 10, ROUND",2,,,,,,,,,,,,,
 36-1,1,,22190-100002,, "SEAL WASHER 10S",2,2,,,,,N,,TE-99879,E/#55535,,,,,





1,1,,119810-42001,, "PUMP,C.W.(NON-ASB.)",1,1,,,,,,,,,,,,,
12,2,,23871-030000,, "PLUG PT3/8,SCREW",2,,,,,,,,,,,,,
12-1,2,,23876-030000,, "PLUG PT3/8,SCREW",2,2,,,,,N,,GZ-99001,E/#51603,,,,,,,,,
13,2,,129150-42320,,O-RING,1,1,,,,,,,,,,,,,
14,1,,129150-42020,, "GASKET, C.W. PUMP",1,,,,,,,,,,,,,
14-1,1,,129486-42050,,GASKET,1,1,,,,,N,,TN-99337,E/#56069,,,,,,,,,
15,1,,26106-080552,, "BOLT M 8X 55 PLATED",3,3,,,,,,,,,,,,,
16,1,,26106-080352,, "BOLT M 8X 35 PLATED",1,1,,,,,,,,,,,,,
17,1,,25132-003800,, "V-BELT (A-38)",1,1,,,,,,,,,,,,,
18,1,,129556-42350,,V-PULLEY,1,1,,,,,,,,,,,,,
19,1,,119831-44740,, "FAN, COOLING",1,1,,,,,,,,,,,,,
20,1,,171353-44760,,SPACER,1,1,,,,,,,,,,,,,
21,1,,26106-060352,, "BOLT M 6X 35 PLATED",4,4,,,,,,,,,,,,,
22,1,,121550-49111,, "JOINT PT1/4",1,1,,,,,,,,,,,,,
23,1,,121450-42450,, "PLUG M16",1,1,,,,,,,,,,,,,
24,1,,121250-44901,, "SWITCH, THERMO(110 β C)",1,1,,,,,,,,,,,,,
25,1,,124465-44950,, "GASKET 16",1,1,,,,,,,,,,,,,
26,1,,124465-44950,, "GASKET 16",1,1,,,,,,,,,,,,,
27,1,,129350-49530,, "COVER, THERMOSTAT",1,1,,,,,,,,,,,,,
28,1,,129795-49551,, "GASKET, (NON-ASB.)",1,1,,,,,,,,,,,,,
29,1,,129155-49800,,THERMOSTAT,1,1,,,,,,,,,,,,,
30,1,,129150-49811,, "GASKET, (NON-ASB.)",1,1,,,,,,,,,,,,,
31,1,,26106-080202,, "BOLT M 8X 20 PLATED",2,,,,,,,,,,,,,
31-1,1,,26106-080222,, "BOLT M 8X 22 PLATED",2,2,,,,,N,,*,EXXX,,,,,,,,,

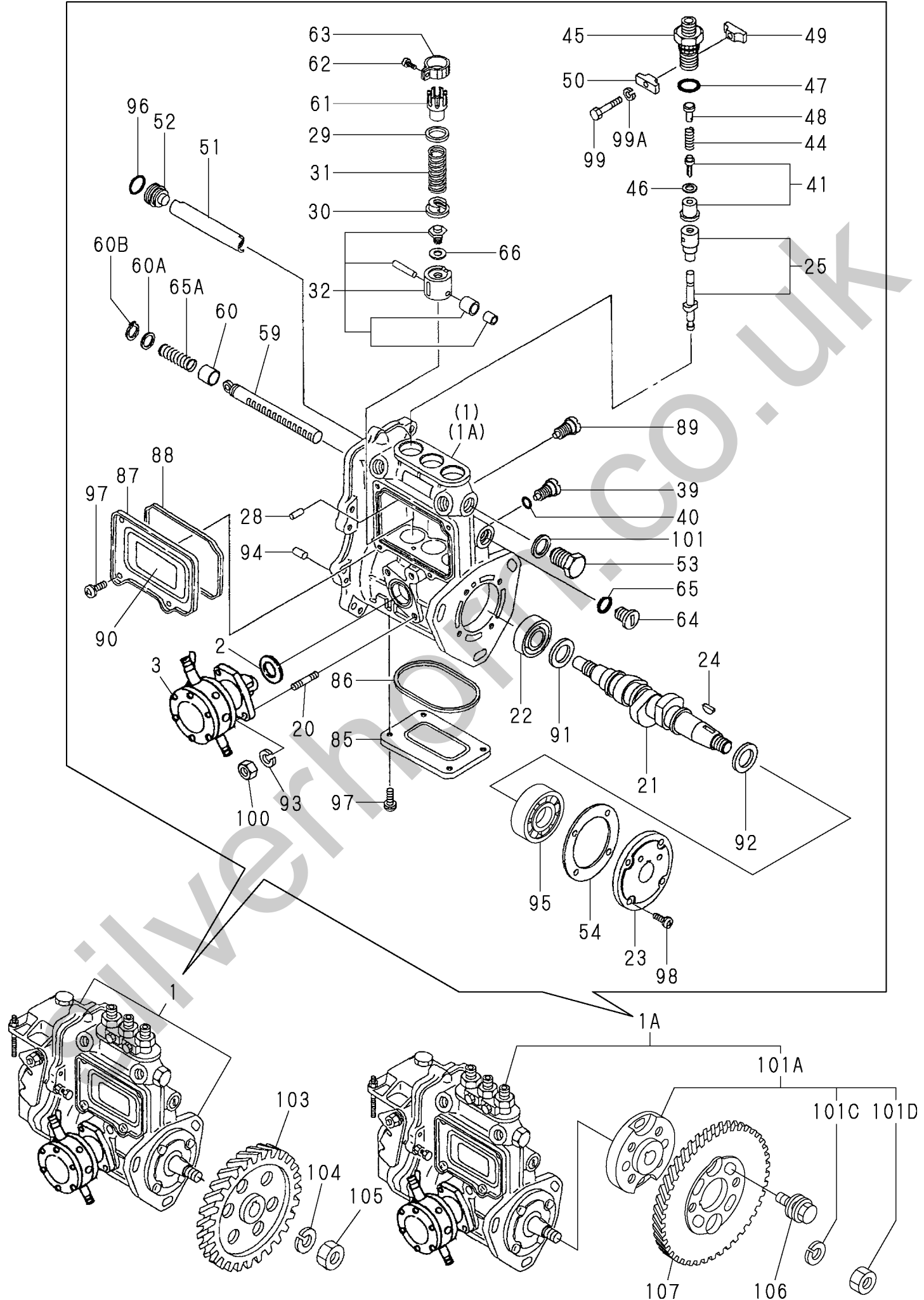




1,1,,719813-51380,, "PUMP ASSY, F.I.PUMP",1,,,,,1,,,,,
1A,1,,719813-51480,, "PUMP ASSY, F.I.PUMP",,1,,,,,1,,,,,
2,2,,129155-52050,, GASKET,1,1,,,,,
3,2,,129100-52100,, "PUMP ASSY, FUEL FEED",1,1,,,,,
20,2,,129155-51020,, "STUD, FEED PUMP",2,2,,,,,
21,2,,119810-51040,, CAMSHAFT,1,1,,,,,
22,2,,129155-51050,, "BALL BEARING, THRUST",1,1,,,,,
22-1,2,,129155-51051,, RETAINER,1,1,,,,,R,,M2-02026,E/#56010,M2-02026,E/#75066,,,,,I
23,2,,129155-51060,, "CAM SHAFT SUPPORT",1,,,,,
23A,2,,129208-51060,, SUPPORT,,1,,,,,
24,2,,122710-51090,, KEY,1,1,,,,,
25,2,,129108-51100,, "PLUNGER W/BARREL",3,3,,,,,
28,2,,129155-51140,, "PIN, BARREL LOCKING",3,3,,,,,
29,2,,174307-51170,, "RETAINER A",3,3,,,,,
30,2,,129155-51180,, "SPRING SHOE, PLUNGER",3,3,,,,,
31,2,,124950-51190,, "SPRING, PLUNGER",3,3,,,,,
32,2,,129155-51200,, "TAPPET ASSY",3,3,,,,,
39,2,,129155-51270,, "LOCKING, TAPPET",3,3,,,,,
40,2,,129155-51280,, "O-RING S6",3,3,,,,,
41,2,,129505-51300,, "VALVE W/SEAT, DELIV.",3,3,,,,,
44,2,,129155-51320,, "SPRING, DELIV. VALVE",3,3,,,,,
45,2,,129155-51340,, "GUARD,DELIVERY VALVE",3,3,,,,,
46,2,,124550-51350,, "GASKET, DELIVERY",3,3,,,,,
47,2,,124550-51370,, "O-RING, DELIVERY",3,3,,,,,
48,2,,129155-51370,, "STOPPER, VALVE",3,3,,,,,
49,2,,129155-51380,, "LOCKING (A)",2,2,,,,,
50,2,,129155-51390,, "LOCKING (B)",2,2,,,,,
51,2,,129155-51400,, DEFLECTOR,1,1,,,,,
52,2,,129155-51410,, "CHECK BOLT,DEFLECTOR",1,1,,,,,
53,2,,129155-51420,, "PLUG (M16)",1,1,,,,,
54,2,,129155-51450,, "SHIM SET, ADJUSTING",1,1,,,,,
59,2,,129155-51500,, "RACK, CONTROL",1,1,,,,,
60,2,,129155-51521,, "BUSH, RACK",1,1,,,,,
60A,2,,129155-51530,, "SPACER, AUX. SPRING",1,1,,,,,W,,*,"FROM 1ST",,,,,,
60B,2,,129155-51540,, CIRCLIP,1,1,,,,,W,,*,"FROM 1ST",,,,,,
61,2,,129155-51550,, "PINION, CONTROL",3,3,,,,,
62,2,,122117-51560,, "SCREW, PINION",3,3,,,,,
62-1,2,,129100-51570,, SCREW,,3,,,,,N,,,,M1-00186,E/#65314,,,,,I
63,2,,174307-51560,, PINION,3,3,,,,,
63-1,2,,129100-51560,, PINION,,3,,,,,N,,,,M1-00186,E/#65314,,,,,I
64,2,,129155-51570,, "PLUG (M12)",1,1,,,,,
65,2,,129155-51580,, O-RING,1,1,,,,,
65A,2,,129155-51591,, "SPRING, RACK",1,1,,,,,W,,*,"FROM 1ST",,,,,,
66,2,,129155-51600,, "SHIM PACK",3,3,,,,,
85,2,,129155-51700,, "COVER, LOWER",1,,,,,
85-1,2,,129155-51701,, COVER,1,1,,,,,N,,M1-99214,E/#47786,,,,,
86,2,,129155-51710,, "GASKET, LOWER COVER",1,1,,,,,
86-1,2,,129155-51711,, PACKING,1,1,,,,,N,,M1-00113,E/#56010,M1-00113,E/#65314,,,,,I
87,2,,129155-51750,, "COVER, SIDE",1,,,,,
87-1,2,,129155-51751,, "COVER, SIDE",1,1,,,,,N,,M1-99214,E/#47786,,,,,
88,2,,129155-51760,, "GASKET, SIDE COVER",1,1,,,,,
89,2,,129155-51790,, "LOCKING, RACK",1,1,,,,,
90,2,,129156-51910,, "LABEL, CAUTION",1,1,,,,,
91,2,,129155-51930,, "SPACER T=3.25",1,1,,,,,
92,2,,129155-51940,, "SPACER T=1.5",1,1,,,,,
93,2,,22217-060000,, "SPRING WASHER 6",2,2,,,,,
94,2,,22351-050010,, "SPRING PIN 5X10",2,2,,,,,
95,2,,24101-063034,, "BALL BEARING",1,1,,,,,
96,2,,24341-000160,, "O-RING 1A S-16.0",1,1,,,,,
97,2,,26022-050102,, "SCREW M 5X 10",8,,,,,
97-1,2,,26022-050122,, "SCREW M 5X 12",8,8,,,,,N,,M1-99214,E/#47786,,,,,

98,2,,26022-060162,, "SCREW M 6X 16",4,4,,,,,,,,,,,,,,,,,,,,,
99,2,,26116-050302,, "BOLT M 5X 30 PLATED",2,2,,,,,,,,,,,,,,,,,,,,,
99A,2,,22217-050000,, "SPRING WASHER 5",2,2,,,,,,,,,W,,*,EXXX,,,,,,,,,,,,,
100,2,,26716-060002,, "NUT 6",2,2,,,,,,,,,,,,,,,,,,,,,,,,,,,,,
101,2,,22190-160002,, "SEAL WASHER 16S",1,1,,,,,,,,,,,,,,,,,,,,,
101A,2,,129208-54500,, "FLANGE ASSY",,1,,,,,,,,,,,,,,,,,,,,,
101C,3,,22217-120000,, "SPRING WASHER",,1,,,,,,,,,,,,,,,,,,,,,
101D,3,,26716-120002,, "NUT 12",,1,,,,,,,,,,,,,,,,,,,,,
103,1,,129150-25900,, "GEAR, FUEL INJ. PUMP",1,,,,,,,,,,,,,,,,,,,,,
104,1,,22217-120000,, "SPRING WASHER",1,,,,,,,,,,,,,,,,,,,,,
105,1,,26716-120002,, "NUT 12",1,,,,,,,,,,,,,,,,,,,,,
106,1,,129150-25301,, "BOLT,FI-P",,4,,,,,,,,,,,,,,,,,,,,,
107,1,,129150-25931,, "GEAR",1,,,,,,,,,,,,,,,,,,,,,,,,,,,,,

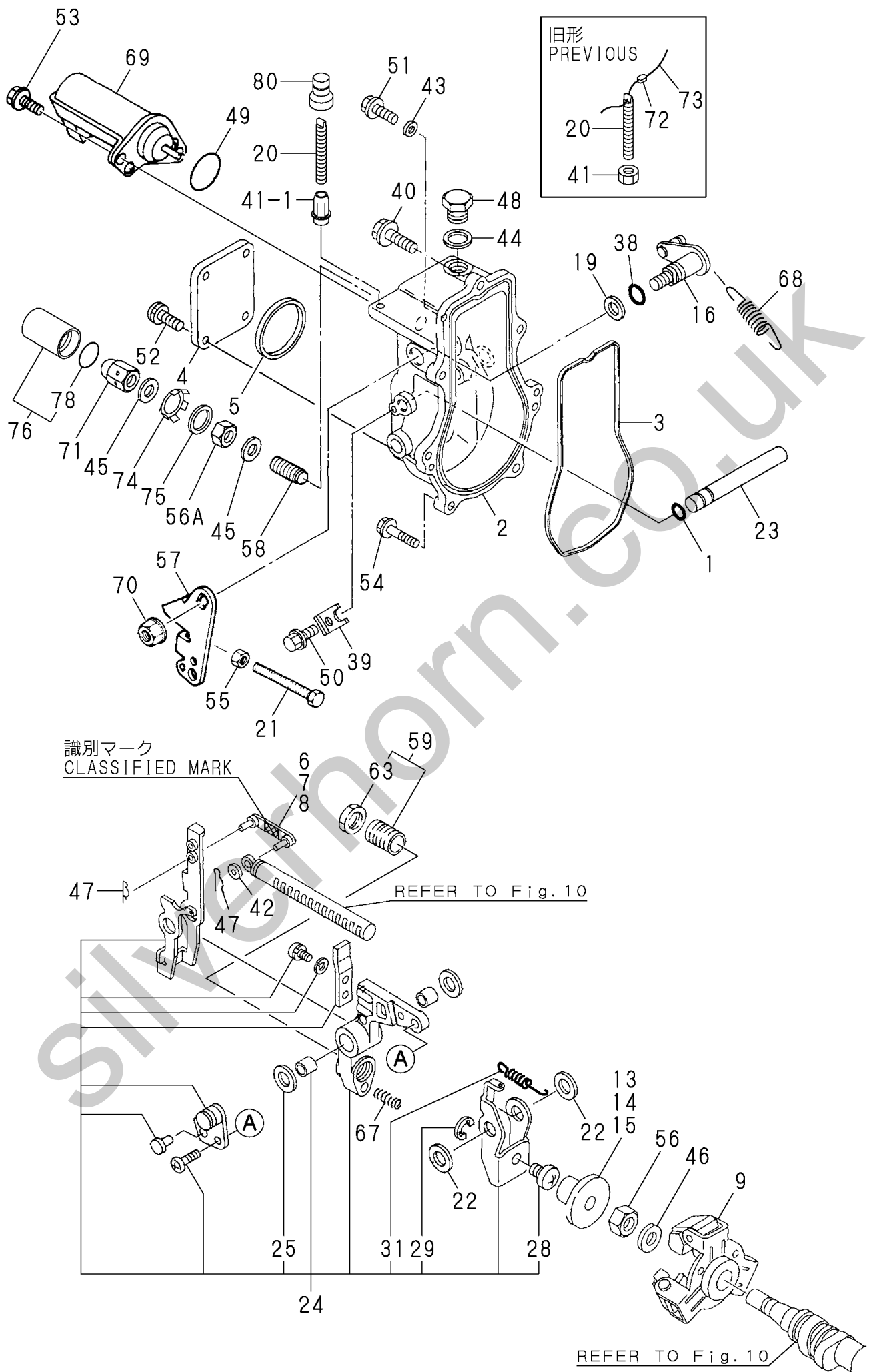
Silverhorn.CO.UK



1,2,,129155-51280,, "O-RING S6",1,1,,,,,,,,,,,,,,,,,,,,,
2,2,,129052-61010,, "CASE, GOVERNOR",1,1,,,,,,,,,,,,,,,,,,,,,
3,2,,129052-61050,, "PACKING",1,1,,,,,,,,,,,,,,,,,,,,,
4,2,,129052-61060,, "COVER",1,1,,,,,,,,,,,,,,,,,,,,,
5,2,,129052-61070,, "PACKING",1,1,,,,,,,,,,,,,,,,,,,,,
6,2,,129155-61120,, "LINK L=30(MARK 0",1,1,,,,,1,,,,,,,,,,,,,
7,2,,129155-61130,, "LINK L=31(MARK 1",1,1,,,,,1,,,,,,,,,,,,,
8,2,,129155-61140,, "LINK L=30.5(MARK 05)",1,1,,,,,1,,,,,,,,,,,,,
9,2,,129155-61201,, "WEIGHT ASSY, GOV.",1,,,,,,,,,,,,,
9-1,2,,129155-61202,, "WEIGHT ASSY, GOVERNOR",1,1,,,,,R,,M1-
99224,E/#47786,,,,,,,,,,,,,
9-2,2,,129486-61201,, "WEIGHT ASSY, GOVERNOR",,1,,,,,N,,,,*,EXXX,,,,,,,,,,,,,I
13,2,,129155-61341,, "SLEEVE",1,1,,,,,2,,,,,,,,,,,,,
14,2,,129155-61350,, "SLEEVE",1,1,,,,,2,,,,,,,,,,,,,
15,2,,129155-61360,, "SLEEVE",1,1,,,,,2,,,,,,,,,,,,,
16,2,,129100-61400,, "SHAFT ASSY, CONTROL",1,1,,,,,,,,,,,,,,,,,,,,,
19,2,,129155-61430,, "SPACER, SHAFT",1,1,,,,,,,,,,,,,,,,,,,,,
20,2,,129155-61450,, "BOLT, REVOL. LIMIT",1,1,,,,,,,,,,,,,,,,,,,,,
21,2,,129155-61460,, "BOLT, IDLE LIMIT",1,1,,,,,,,,,,,,,,,,,,,,,
22,2,,129155-61480,, "SPACER ASSY",2,2,,,,,,,,,,,,,,,,,,,,,
23,2,,129052-61390,, "SHAFT, GOV. LEVER",1,1,,,,,,,,,,,,,,,,,,,,,
24,2,,129052-61500,, "LEVER ASSY, GOVERNOR",1,1,,,,,,,,,,,,,,,,,,,,,
24-1,2,,119908-61500,, "LEVER ASSY, GOVERNOR",1,1,,,,,N,,M1-99063,E/#53754,M1-
99063,"FROM 1ST",,,,,,,,,,,,,,I
24-2,2,,119908-61501,, "LEVER ASSY, GOVERNOR",1,1,,,,,N,,M1-99262,E/#56010,M1-
99262,E/#56584,,,,,,,,,,,,,I
25,3,,174307-51700,, "SHIM SET",2,2,,,,,,,,,,,,,,,,,,,,,
28,4,,129155-61540,, "SHIFTER",1,1,,,,,,,,,,,,,,,,,,,,,
28-1,4,,119600-61540,, "SHIFTER",1,1,,,,,S,,M1-99063,E/#53754,M1-99063,"FROM
1ST",,,,,,,,,,,,,,I
29,4,,22272-000040,, "CIRCLIP E- 4",1,1,,,,,,,,,,,,,,,,,,,,,
31,3,,129052-61540,, "SPRING",1,1,,,,,,,,,,,,,,,,,,,,,
31-1,3,,129486-61540,, "SPRING, SET",1,1,,,,,S,,M1-00028,E/#56010,M1-
00028,E/#65314,,,,,,,,,,,,,I
38,2,,129155-61830,, "O-RING S10",1,1,,,,,,,,,,,,,,,,,,,,,
39,2,,119660-61901,, "RETAINER, SHAFT",1,1,,,,,,,,,,,,,,,,,,,,,
40,2,,129155-61950,, "BOLT, WASHER BASED",1,1,,,,,,,,,,,,,,,,,,,,,
41,2,,124550-66370,, "LOCK NUT M 6",1,1,,,,,,,,,,,,,,,,,,,,,
41-1,2,,129209-61370,, "NUT M6",1,1,,,,,S,,M1-02067,E/#56010,M1-
02067,E/#75066,,,,,,,,,,,,,I
42,2,,22117-040000,, "WASHER 4",1,1,,,,,,,,,,,,,,,,,,,,,
43,2,,22190-060002,, "SEAL WASHER 6S",1,,,,,,,,,,,,,
43-1,2,,22190-060003,, "SEAL WASHER 6S",1,1,,,,,R,,M1-98108,E/#45942,,,,,,,,,,,,,
44,2,,22190-100002,, "SEAL WASHER 10S",1,1,,,,,,,,,,,,,,,,,,,,,
45,2,,22190-120002,, "SEAL WASHER 12",2,2,,,,,,,,,,,,,,,,,,,,,
46,2,,22287-120000,, "WASHER 12",1,1,,,,,,,,,,,,,,,,,,,,,
47,2,,22372-040000,, "SNAP PIN 4",2,2,,,,,,,,,,,,,,,,,,,,,
48,2,,23887-100002,, "PLUG 10",1,1,,,,,,,,,,,,,,,,,,,,,
49,2,,24341-000280,, "O-RING 1A S-28.0",1,1,,,,,,,,,,,,,,,,,,,,,
50,2,,26106-060102,, "BOLT M 6X 10 PLATED",1,1,,,,,,,,,,,,,,,,,,,,,
51,2,,26106-060102,, "BOLT M 6X 10 PLATED",1,1,,,,,,,,,,,,,,,,,,,,,
52,2,,26106-060102,, "BOLT M 6X 10 PLATED",4,4,,,,,,,,,,,,,,,,,,,,,
53,2,,26106-060142,, "BOLT M 6X 14 PLATED",2,2,,,,,,,,,,,,,,,,,,,,,
54,2,,26106-060202,, "BOLT M 6X 20 PLATED",6,6,,,,,,,,,,,,,,,,,,,,,
55,2,,26756-060002,, "LOCK NUT 6",1,1,,,,,,,,,,,,,,,,,,,,,
56,2,,26776-120002,, "LOCK NUT M12 PLATED",1,1,,,,,,,,,,,,,,,,,,,,,
56-1,2,,26736-120002,, "NUT M12",1,1,,,,,S,,M1-01103,E/#56010,M1-
01103,E/#75066,,,,,,,,,,,,,I
56A,2,,26776-120002,, "LOCK NUT M12 PLATED",1,1,,,,,,,,,,,,,,,,,,,,,
57,1,,129100-61440,, "LEVER, CONTROL",1,1,,,,,,,,,,,,,,,,,,,,,
58,1,,129155-61470,, "BOLT, FUEL CONTROL",1,1,,,,,,,,,,,,,,,,,,,,,
58-1,1,,120323-61470,, "BOLT, CONTROL",,1,,,,,N,,,,M1-99063,"FROM 1ST",,,,,,,,,,,,,,I
59,1,,171353-61550,, "ANGLEICH ASSY",1,1,,,,,,,,,,,,,,,,,,,,,

63,2,,129155-61590,,NUT,1,1,,,,,,,,,,,,,
67,1,,129100-61650,, "SPRING, FUEL CONTROL",1,1,,,,,,,,,,,,,
68,1,,171353-61710,, "SPRING, GOVERNOR",1,,,,,,,,,,,,,
68-1,1,,129489-61700,, "SPRING, GOVERNOR",1,1,,,,,N,,M1-97121,E/#41254,,,,,
69,1,,119233-77951,,SOLENOID,1,1,,,,,,,,,,,,,
69-1,1,,119233-77952,,SOLENOID,1,1,,,,,N,,M1-00179,E/#56010,M1-
00179,E/#67474,,,,,,I
70,1,,26366-080002,, "NUT M 8",1,1,,,,,,,,,,,,,
71,1,,26687-120002,, "CAP NUT M12",1,,,,,,,,,,,,,
71A,1,,129100-61930,, "NUT, CAP",1,,,,,,,,,,,,,
71A-1,1,,129209-61930,, "CAP NUT",1,,,,,N,,,,M1-01226,E/#75066,,,,,,I
72,1,,135210-61090,,LEAD,,1,,,,,Z,,,,TE-01408,E/#65314,,,,,,I
73,1,,22451-060000,, "WIRE 0.6",1,,,,,Z,,,,TE-01408,E/#65314,,,,,,I
74,1,,129209-61970,,PLATE,,1,,,,,W,,,,M1-01226,E/#75066,,,,,,I
75,1,,23414-120016,, "GASKET 12",1,,,,,W,,,,M1-01226,E/#75066,,,,,,I
76,1,,129209-61940,, "CASE ASSY",1,,,,,W,,,,TE-01408,E/#65314,,,,,,I
78,2,,24311-000150,, "O-RING 1A P-15.0",1,,,,,W,,,,TE-01408,E/#65314,,,,,,I
80,1,,119285-66650,, "CAP, HIGH-IDLE",1,,,,,W,3,,,,TE-01408,E/#65314,,,,,,I



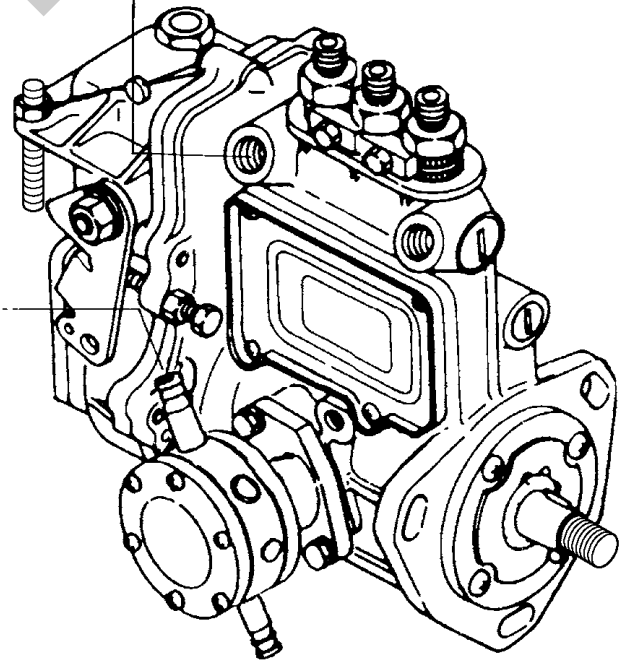
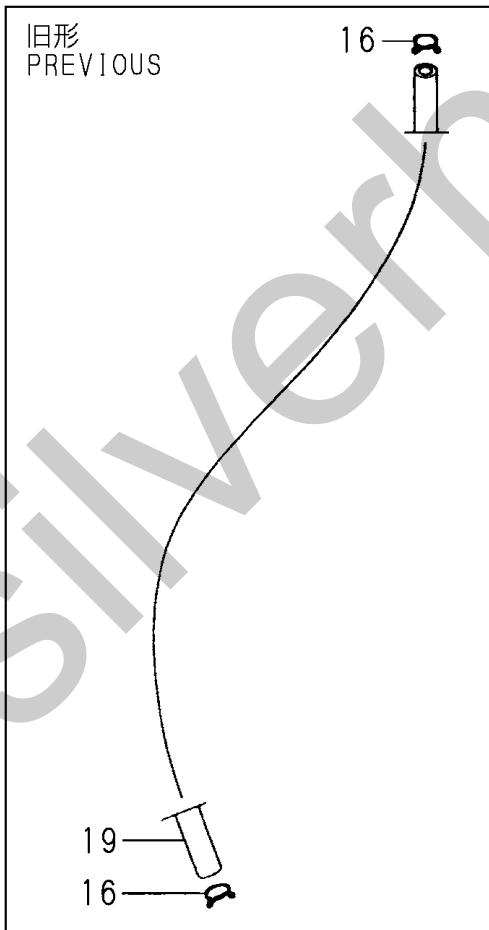
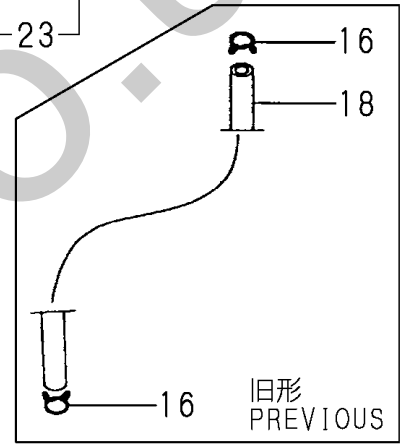
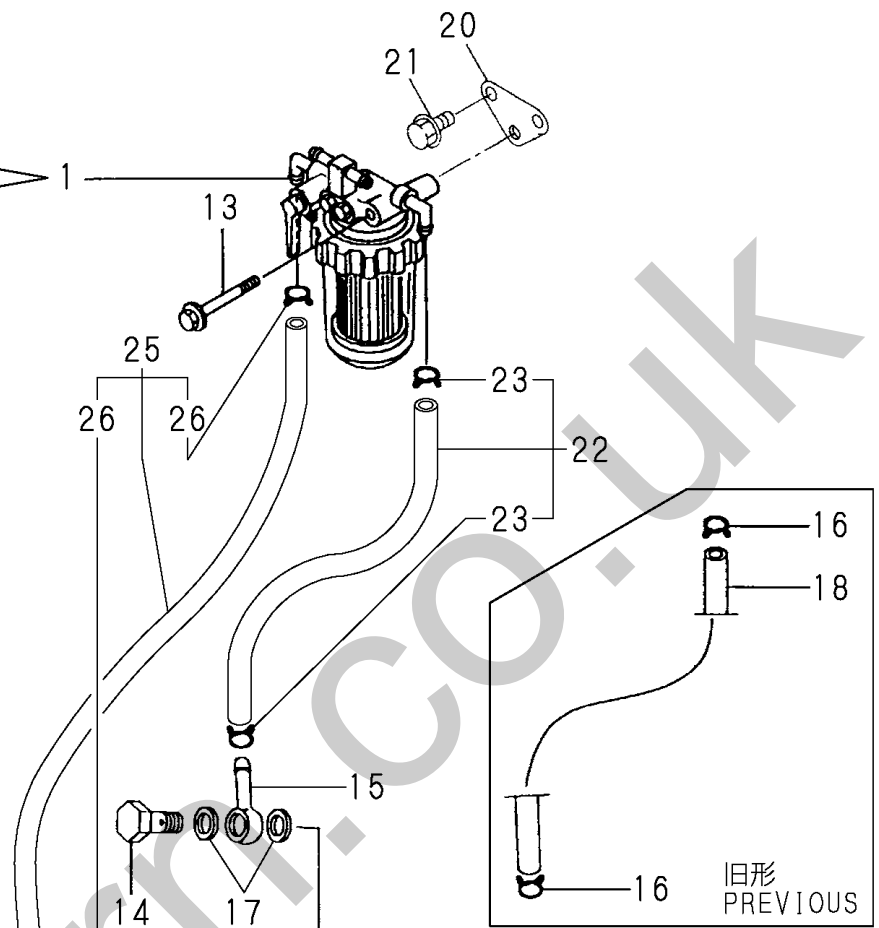
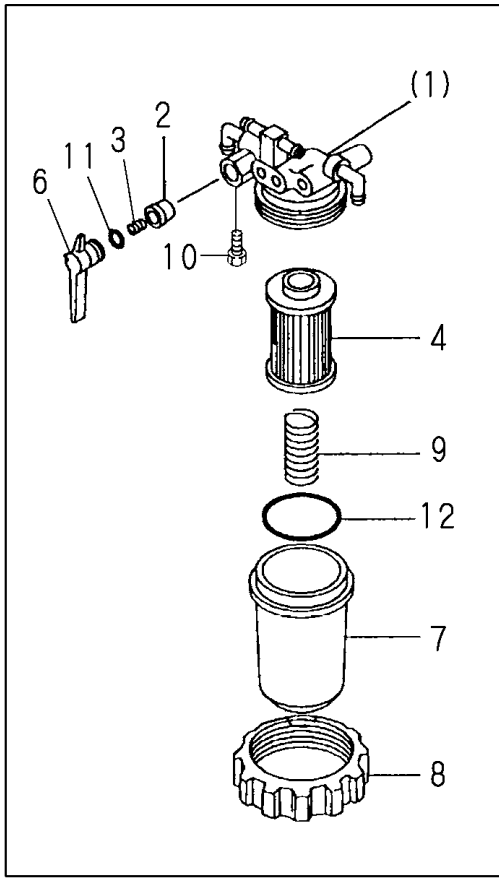


1,1,,729500-53200,, "VALVE ASSY, F.INJECT",1,1,,,,,,,,,,,,,,,,,,,,,
 1-1,1,,729609-53200,, "VALVE ASSY, F.INJECT",,1,,,,,N,,,,*,EXXX,,,,,,,,,,,,,I
 2,2,,129500-53050,, "NOZZLE ASSY,F.INJECT",3,3,,,,,,,,,,,,,,,,,,,,,
 2-1,2,,129609-53100,, "NOZZLE ASSY",,3,,,,,N,,,,*,EXXX,,,,,,,,,,,,,I
 5,2,,114250-53080,, "NUT, NOZZLE CASE",3,3,,,,,,,,,,,,,,,,,,,,,
 6,2,,129100-53100,, "HOLDER ASSY, NOZZLE",3,3,,,,,,,,,,,,,,,,,,,,,
 9,2,,114250-53120,, "SPRING, NOZZLE",3,3,,,,,,,,,,,,,,,,,,,,,
 10,2,,114250-53130,, "SEAT, NOZZLE SPRING",3,3,,,,,,,,,,,,,,,,,,,,,
 11,2,,114250-53140,, "PLATE, STOP",3,3,,,,,,,,,,,,,,,,,,,,,
 12,2,,114250-53210,, PIN,6,6,,,,,,,,,,,,,,,,,,,,,
 13,2,,114250-53400,, "SHIM PACK",3,3,,,,,,,,,,,,,,,,,,,,,
 20,1,,129150-59120,, "RETAINER, INJ. PIPE",1,1,,,,,,,,,,,,,,,,,,,,,
 23,2,,129150-59131,, "BOLT M4X14,HEX.SCKT.",2,2,,,,,,,,,,,,,,,,,,,,,
 24,1,,119810-59810,, "PIPE, FUEL INJECTION",1,1,,,,,,,,,,,,,,,,,,,,,
 28,1,,119810-59820,, "PIPE, FUEL INJECTION",1,1,,,,,,,,,,,,,,,,,,,,,
 32,1,,119810-59830,, "PIPE, FUEL INJECTION",1,1,,,,,,,,,,,,,,,,,,,,,
 36,1,,124766-59050,, "CLAMP 12",2,,,,,Z,,TE-98382,E/#45237,,,,,,,,,,,,,
 37,1,,124066-59100,, "CLAMP 8",7,,,,,,,,,,,,,,,,,,,,,
 37-1,1,,124066-59100,, "CLAMP 8",5,5,,,,,K,,TE-99593,E/#56069,,,,,,,,,,,,,
 38,1,,121250-59550,, "PIPE, FUEL",2,2,,,,,,,,,,,,,,,,,,,,,
 39,1,,119840-59560,, "PIPE, FUEL RETURN",1,,,,,Z,,TE-99593,E/#56069,,,,,,,,,,,,,
 40,1,,119840-59570,, JOINT,1,1,,,,,,,,,,,,,,,,,,,,,
 41,1,,129150-59580,, CAP,1,1,,,,,,,,,,,,,,,,,,,,,
 42,1,,105025-59750,, "PIPE, FUEL OIL",1,,,,,Z,,TE-98382,E/#45237,,,,,,,,,,,,,
 43,1,,129100-59951,, "VALVE ASSY, CHECK",1,1,,,,,,,,,,,,,,,,,,,,,
 51,1,,23414-120000,, "GASKET 12, ROUND",2,,,,,,,,,,,,,,,,,,,,,
 51-1,1,,22190-120002,, "SEAL WASHER 12",2,2,,,,,N,,TN-99116,E/#51603,,,,,,,,,,,,,
 52,1,,129210-59130,, "PIPE ASSY, FUEL OIL",1,1,,,,,W,,TE-98382,E/#45237,,,,,,,,,,,,,
 53,2,,124766-59050,, "CLAMP 12",2,2,,,,,W,,TE-98382,E/#45237,,,,,,,,,,,,,
 55,1,,119840-59500,, "PIPE ASSY, RETURN",1,1,,,,,W,,TE-99593,E/#56069,,,,,,,,,,,,,
 57,2,,124066-59100,, "CLAMP 8",2,2,,,,,W,,TE-99593,E/#56069,,,,,,,,,,,,,



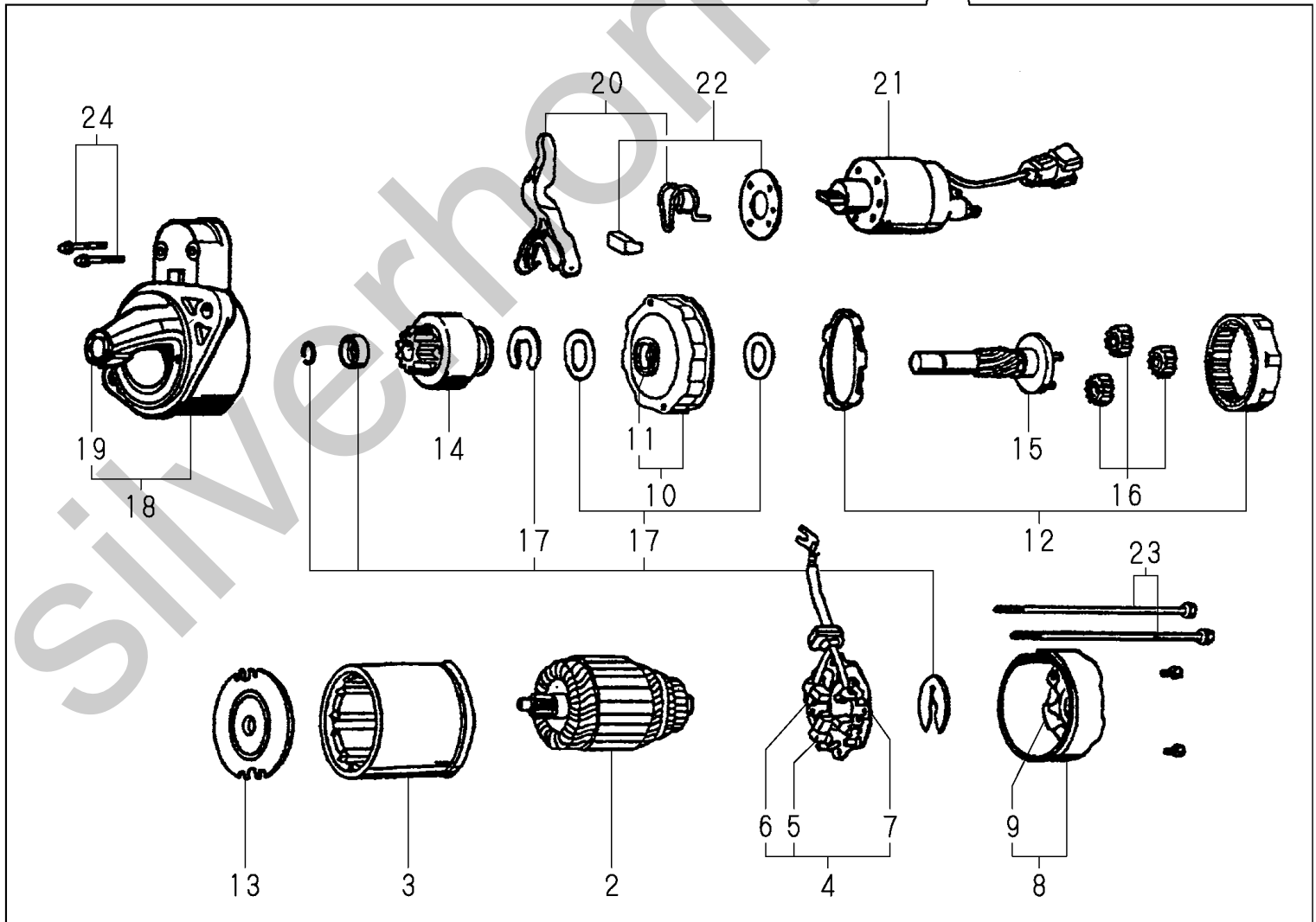
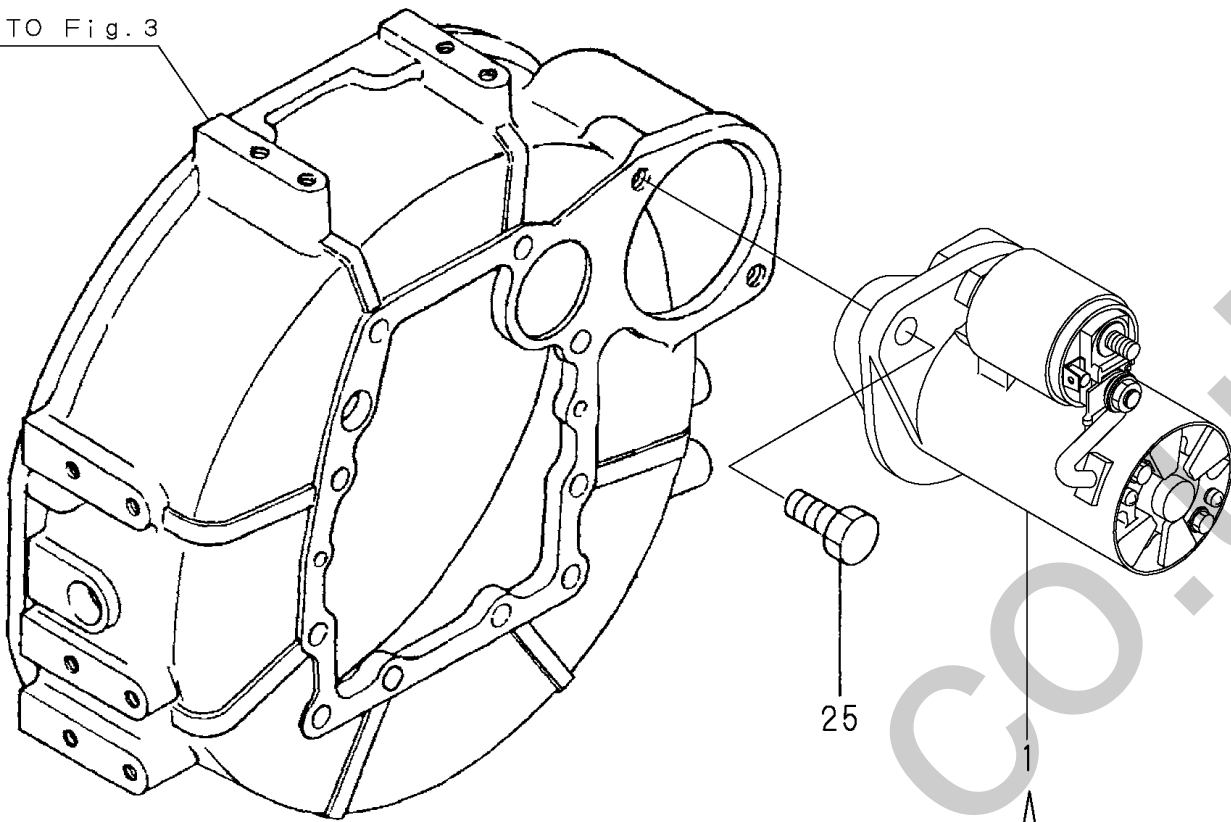
1,1,,119833-55620,, "STRAINER ASSY, FUEL",1,1,,,,,,,,,,,,,
2,2,,104200-55321,, "VALVE, TAPER",1,1,,,,,,,,,,,,,
3,2,,104200-55330,, "SPRING, TAPER VALVE",1,1,,,,,,,,,,,,,
4,2,,119810-55650,, ELEMENT,1,1,,,,,,,,,,,,,
6,2,,119810-55340,, LEVER,1,1,,,,,,,,,,,,,
7,2,,121254-55510,, "CUP, STRAINER",1,1,,,,,,,,,,,,,
8,2,,110250-55610,, "RING, RETAINING",1,1,,,,,,,,,,,,,
9,2,,121250-55620,, SPRING,1,1,,,,,,,,,,,,,
10,2,,104200-55750,, "SCREW M 4",1,1,,,,,,,,,,,,,
11,2,,24311-240100,, "O-RING 1A P-10A",1,1,,,,,,,,,,,,,
12,2,,102103-55520,, O-RING,1,1,,,,,,,,,,,,,
13,1,,26106-080652,, "BOLT M 8X 65 PLATED",1,1,,,,,,,,,,,,,
14,1,,103854-39140,, "BOLT, PIPE JOINT",1,1,,,,,,,,,,,,,
15,1,,101304-59020,, "JOINT 12, PIPE",1,1,,,,,,,,,,,,,
16,1,,124766-59050,, "CLAMP 12",4,,,,,Z,,TE-98382,E/#45237,,,,,
17,1,,22190-120002,, "SEAL WASHER 12",2,2,,,,,,,,,,,,,
18,1,,129555-59510,, "PIPE, FUEL",1,,,,,Z,,TE-98382,E/#45237,,,,,
19,1,,105025-59750,, "PIPE, FUEL OIL",1,,,,,Z,,TE-98382,E/#45237,,,,,
20,1,,119833-55690,, BRACKET,1,1,,,,,,,,,,,,,
21,1,,26106-080142,, "BOLT M 8X 14 PLATED",2,2,,,,,,,,,,,,,
22,1,,129210-59020,, "PIPE ASSY, FUEL OIL",1,1,,,,,W,,TE-98382,E/#45237,,,,,
23,2,,124766-59050,, "CLAMP 12",2,2,,,,,W,,TE-98382,E/#45237,,,,,
25,1,,129210-59130,, "PIPE ASSY, FUEL OIL",1,1,,,,,W,,TE-98382,E/#45237,,,,,
26,2,,124766-59050,, "CLAMP 12",2,2,,,,,W,,TE-98382,E/#45237,,,,,

Silverhorn.co.uk



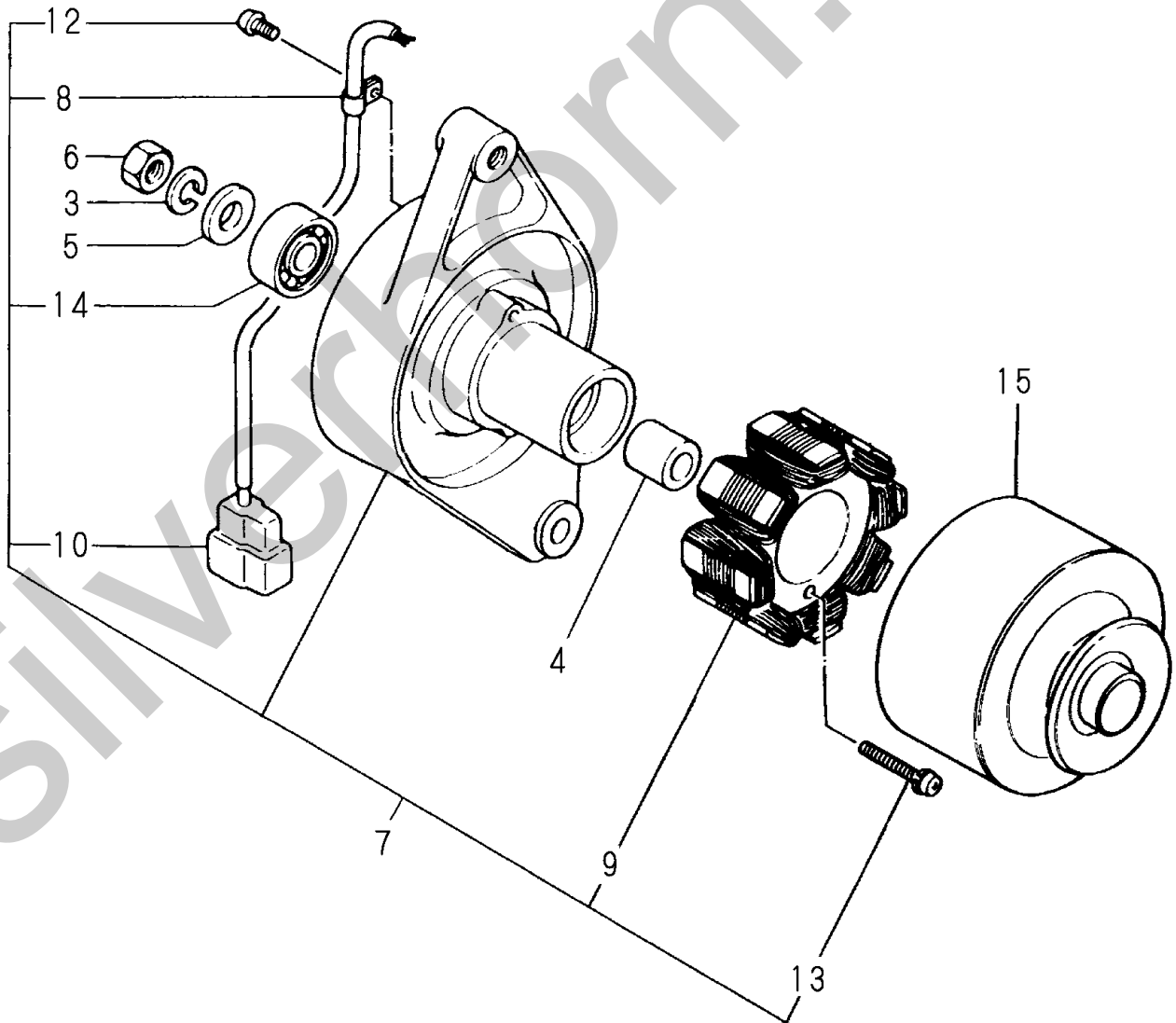
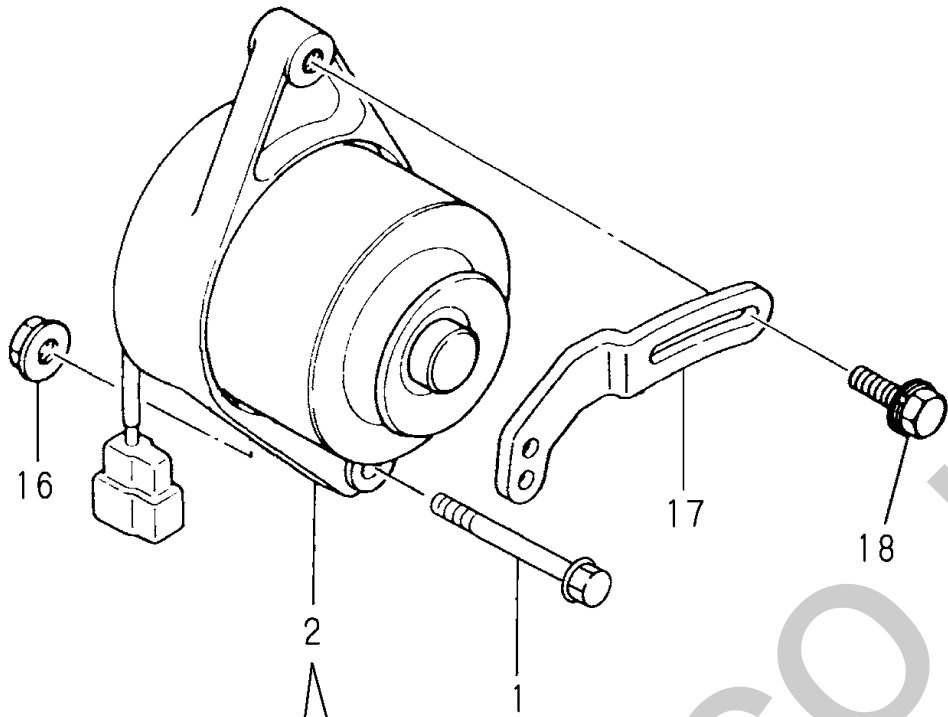
1,1,,129698-77010,,STARTER,1,1,,,,,,,,,,,,,
2,2,,X211421111,,,"ARMATURE ASSY",1,,,,,,,,,,,,,
2-1,2,,129698-77100,,,"ARMATURE ASSY",1,1,,,,,N,,JH-97080,E/#42002,,,,,,,,,,,,,
2-2,2,,129698-77101,,,"ARMATURE ASSY",1,1,,,,,R,,JH-00035,E/#56010,JH-
00035,E/#65314,,,,,,,,,,,,,I
3,2,,X211482100,,,"YOKE ASSY",1,,,,,,,,,,,,,
3-1,2,,129698-77110,,,"COIL ASSY, FIELD",1,1,,,,,N,,JH-97080,E/#42002,,,,,,,,,,,,,
4,2,,X211423106,,,"BRUSH HOLDER ASSY",1,,,,,,,,,,,,,
4-1,2,,129698-77120,,,"HOLDER ASSY,BRUSH",1,1,,,,,N,,JH-97080,E/#42002,,,,,,,,,,,,,
5,3,,X211443127,,BRUSH(-),2,,,,,,,,,,,,,
5-1,3,,129698-77130,,,"BRUSH (-)",2,2,,,,,N,,JH-97080,E/#42002,,,,,,,,,,,,,
6,3,,X211433127,,,"BRUSH(+) SET",1,,,,,,,,,,,,,
6-1,3,,129698-77140,,,"BRUSH(+) SET",1,1,,,,,N,,JH-97080,E/#42002,,,,,,,,,,,,,
7,3,,X21146317,,,"BRUSH SPRING",4,,,,,,,,,,,,,
7-1,3,,129698-77150,,,"SPRING, BRUSH",4,4,,,,,N,,JH-97080,E/#42002,,,,,,,,,,,,,
8,2,,X211433502,,,"REAR COVER ASSY",1,,,,,,,,,,,,,
8-1,2,,129698-77160,,,"COVER ASSY, REAR",1,1,,,,,N,,JH-97080,E/#42002,,,,,,,,,,,,,
8-2,2,,129698-77161,,,"COVER ASSY, REAR",1,1,,,,,R,,JH-00029,E/#56010,JH-
00029,E/#65314,,,,,,,,,,,,,I
9,3,,X21141353,,,"REAR COVER METAL",1,,,,,,,,,,,,,
9-1,3,,129698-77170,,,"REAR COVER METAL",1,1,,,,,N,,JH-97080,E/#42002,,,,,,,,,,,,,
10,2,,X211454102,,,"CENTER BRACKET(P)",1,,,,,,,,,,,,,
10-1,2,,129698-77180,,BRACKET,1,1,,,,,N,,JH-97080,E/#42002,,,,,,,,,,,,,
11,3,,X211444101,,,"BRACKET(P) METAL",1,,,,,,,,,,,,,
11-1,3,,129698-77190,,BRACKET,1,1,,,,,N,,JH-97080,E/#42002,,,,,,,,,,,,,
12,2,,X211488100,,,"INTERNAL GEAR",1,,,,,,,,,,,,,
12-1,2,,129698-77200,,,"INTERNAL GEAR",1,1,,,,,N,,JH-97080,E/#42002,,,,,,,,,,,,,
13,2,,X211464102,,,"CENTER BRACKET(A)",1,,,,,,,,,,,,,
13-1,2,,129698-77210,,BRACKET,1,1,,,,,N,,JH-97080,E/#42002,,,,,,,,,,,,,
14,2,,X211425554,,,"PISTON ASSY",1,,,,,,,,,,,,,
14-1,2,,129698-77220,,,"PINION ASSY",1,1,,,,,N,,JH-97080,E/#42002,,,,,,,,,,,,,
15,2,,X211475562,,,"PISTON SHAFT",1,,,,,,,,,,,,,
15-1,2,,129698-77230,,SHAFT(PINION,1,1,,,,,N,,JH-97080,E/#42002,,,,,,,,,,,,,
16,2,,X211498100,,,"PLANET GEAR",3,,,,,,,,,,,,,
16-1,2,,129698-77240,,GEAR,3,3,,,,,N,,JH-97080,E/#42002,,,,,,,,,,,,,
17,2,,X211439505,,,"WASHER STOPPER SET",1,,,,,,,,,,,,,
17-1,2,,129698-77250,,,"WASHER SET",1,1,,,,,N,,JH-97080,E/#42002,,,,,,,,,,,,,
18,2,,X211486500,,,"GEAR CASE ASSY",1,,,,,,,,,,,,,
18-1,2,,129698-77260,,,"HOUSING ASSY, GEARS",1,1,,,,,N,,JH-
97080,E/#42002,,,,,,,,,,,,,
19,3,,X2114535200,,,"METAL, STARTER",1,1,,,,,,,,,,,,,
20,2,,X211476015,,,"SHIFT LEVER SET",1,,,,,,,,,,,,,
20-1,2,,129698-77270,,,"LEVER, SHIFT",1,1,,,,,N,,JH-97080,E/#42002,,,,,,,,,,,,,
21,2,,124298-77020,,,"SWITCH, MAGNET",1,,,,,,,,,,,,,
21-1,2,,129698-77020,,,"MAGNETIC SWITCH ASSY",1,1,,,,,R,,TE-
98632,E/#46614,,,,,,,,,,,,,
22,2,,X211488504,,,"DUST COVER KIT",1,,,,,,,,,,,,,
22-1,2,,129698-77280,,,"COVER ASSY, DUST",1,1,,,,,N,,JH-97080,E/#42002,JH-
97080,E/#42002,,,,,,,,,,,,,
23,2,,124195-77770,,,"THROUGH BOLT",2,2,,,,,,,,,,,,,
24,2,,114371-79070,,,"BOLT M 6X 37",2,2,,,,,,,,,,,,,
25,1,,26116-120252,,,"BOLT M12X 25 PLATED",2,2,,,,,,,,,,,,,

REFER TO Fig. 3



1,1,,119833-77251,, "BOLT 8X 70",1,,,,,,,,,,,,,,,,,,,,,
1-1,1,,119833-77252,, BOLT,1,,,,,,N,, TE-97539,E/#43600,,,,,,
1-2,1,,119833-77253,, BOLT,1,1,,,,,,N,, TE-99467,E/#52359,,,,,,
2,1,,129150-77202,, GENERATOR,1,1,,,,,,,,,,,,,,,,,,,,,
3,2,,XM219230000,, "WASHER, SPRING",1,1,,,,,,,,,,,,,,,,,,,,,
4,2,,XM329830000,, COLLAR,1,1,,,,,,,,,,,,,,,,,,,,,
5,2,,XM860250000,, "WASHER 10",1,1,,,,,,,,,,,,,,,,,,,,,
6,2,,XM863720000,, NUT,1,1,,,,,,,,,,,,,,,,,,,,,
7,2,,129150-77210,, "PLATE ASSY",1,1,,,,,,,,,,,,,,,,,,,,,
8,3,,XM069000000,, CLAMP,1,1,,,,,,,,,,,,,,,,,,,,,
9,3,,XM081780000,, STATOR,1,1,,,,,,,,,,,,,,,,,,,,,
10,3,,XM178780000,, COUPLER,1,1,,,,,,,,,,,,,,,,,,,,,
12,3,,XYS400800,, SCREW,1,1,,,,,,,,,,,,,,,,,,,,,
13,3,,XYS402400,, SCREW,2,2,,,,,,,,,,,,,,,,,,,,,
14,3,,24107-062010,, "BALL BEARING",1,1,,,,,,,,,,,,,,,,,,,,,
15,2,,129150-77230,, "FLYWHEEL ASSY",1,1,,,,,,,,,,,,,,,,,,,,,
16,1,,26366-080002,, "NUT M 8",1,1,,,,,,,,,,,,,,,,,,,,,
16-1,1,,26306-080002,, NUT,1,1,,,,,,R,, JH-01017,E/#56010,JH-
01017,E/#75066,,,,,,I
17,1,,119810-77330,, ADJUSTER,1,1,,,,,,,,,,,,,,,,,,,,,
18,1,,26014-080252,, "BOLT M 8X 25",1,,,,,,,,,,,,,,,,,,,,,
18-1,1,,119810-77340,, BOLT,1,1,,,,,,N,, TE-97613,E/#43600,,,,,,

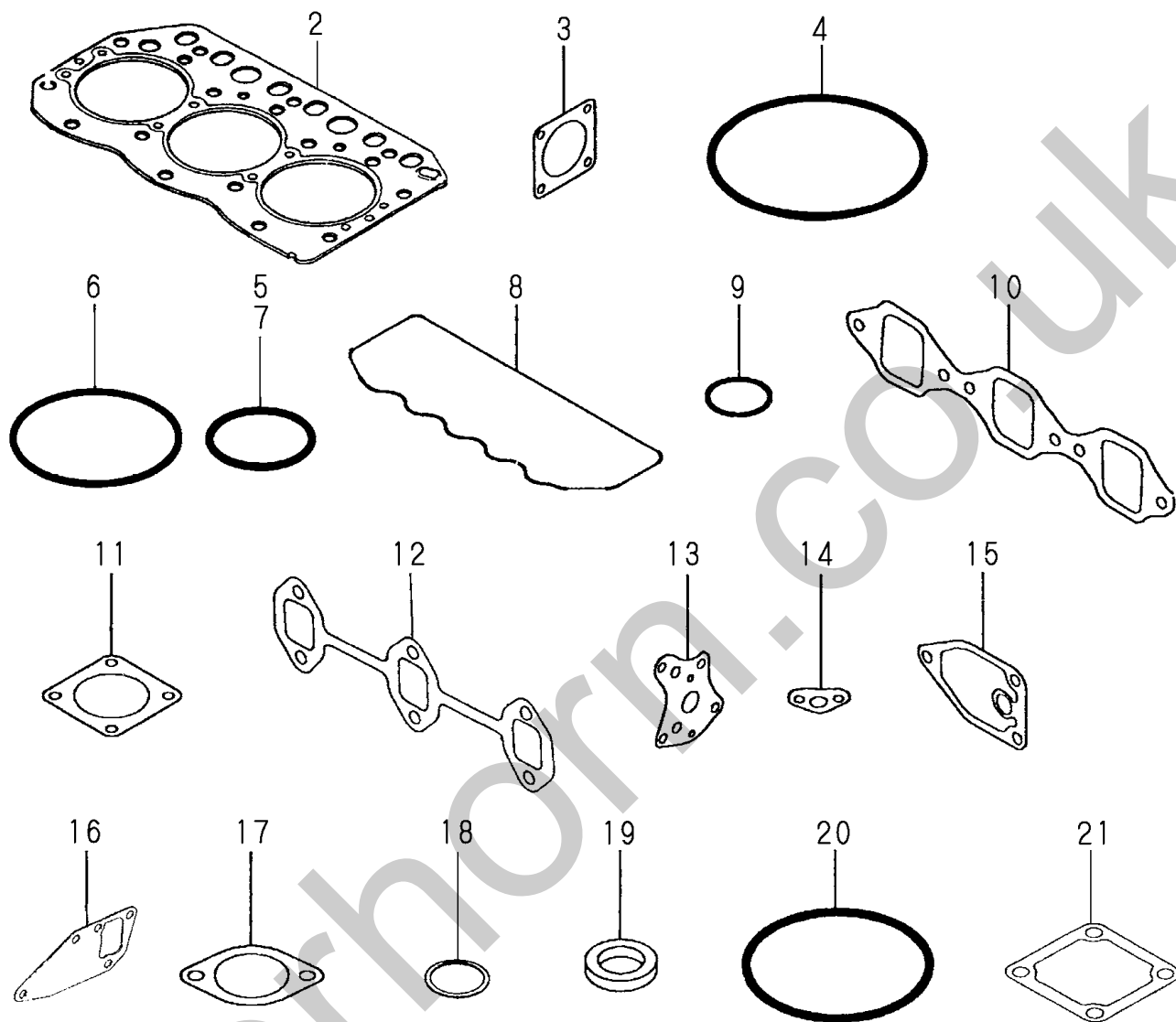
Silverhorn.CO.UK



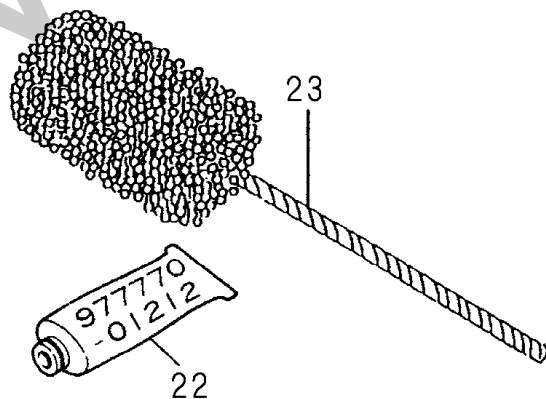
1,1,,719812-92620,, "GASKET SET (NON.ASB.)",1,1,,,,,1,,,,,
2,2,,119812-01330,, "GASKET, HEAD",1,1,,,,,
3,2,,124240-01883,, "GASKET, (NON-ASB.)",1,1,,,,,
4,2,,121850-51960,, "O-RING, F.I.PUMP",1,1,,,,,
5,2,,24311-000320,, "O-RING 1A P-32.0",2,2,,,,,
6,2,,24341-000500,, "O-RING 1A S-50.0",1,1,,,,,
7,2,,24311-000320,, "O-RING 1A P-32.0",1,1,,,,,
8,2,,119865-11310,, "GASKET, BONNET",1,1,,,,,
9,2,,24311-000120,, "O-RING 1A P 12.0",3,3,,,,,
10,2,,119810-12111,, "GASKET, (NON-ASB.)",1,1,,,,,
11,2,,124701-11911,, "GASKET, (NON-ASB.)",1,1,,,,,
12,2,,119810-13110,, "GASKET, EXH.MANIFOLD",1,1,,,,,
13,2,,129150-32020,, "GASKET, L.O. PUMP",1,1,,,,,
14,2,,129150-35041,, "GASKET, (NON-ASB.)",1,1,,,,,
15,2,,129150-35111,, "GASKET, (NON-ASB.)",1,1,,,,,
16,2,,129150-42020,, "GASKET, C.W. PUMP",1,,,,,
16-1,2,,129486-42050,, "GASKET",1,1,,,,,N,,TN-99337,E/#56068,,,,,
17,2,,129795-49551,, "GASKET, (NON-ASB.)",1,1,,,,,
18,2,,129150-49811,, "GASKET, (NON-ASB.)",1,1,,,,,
19,2,,124465-44950,, "GASKET 16",2,2,,,,,
20,2,,102103-55520,, "O-RING",1,1,,,,,
21,2,,129150-77511,, "GASKET, (NON-ASB.)",1,1,,,,,
22,1,,977770-01212,, "GASKET, LIQUID",1,1,,,,,1,,,,,
23,1,,129400-92420,, "FLEX HORN",1,1,,,,,1,,,,,



1



オプション
OPTIONAL



0,Y00B5914

1,001,, "ENGINE 3TNE82A-(E)BVA"
2,1,, "CYLINDER BLOCK", 3TNE82A-BVA, 3TNE82A-EBVA,,
2,2,, "GEAR HOUSING", 3TNE82A-BVA, 3TNE82A-EBVA,,
2,3,, "FLYWHEEL HOUSING & L.O.SUMP", 3TNE82A-BVA, 3TNE82A-EBVA,,
2,4,, "CYLINDER HEAD & BONNET", 3TNE82A-BVA, 3TNE82A-EBVA,,
2,5,, "SUCTION & EXHAUST MANIFOLD", 3TNE82A-BVA, 3TNE82A-EBVA,,
2,6,, "CAMSHAFT & DRIVING GEAR", 3TNE82A-BVA, 3TNE82A-EBVA,,
2,7,, "CRANKSHAFT & PISTON", 3TNE82A-BVA, 3TNE82A-EBVA,,
2,8,, "LUB.OIL SYSTEM", 3TNE82A-BVA, 3TNE82A-EBVA,,
2,9,, "COOLING WATER SYSTEM", 3TNE82A-BVA, 3TNE82A-EBVA,,
2,10,, "FUEL INJECTION PUMP", 3TNE82A-BVA, 3TNE82A-EBVA,,
2,11,, GOVERNOR, 3TNE82A-BVA, 3TNE82A-EBVA,,
2,12,, "FUEL INJECTION PIPE", 3TNE82A-BVA, 3TNE82A-EBVA,,
2,13,, "FUEL PIPE", 3TNE82A-BVA, 3TNE82A-EBVA,,
2,14,, "STARTING MOTOR", 3TNE82A-BVA, 3TNE82A-EBVA,,
2,15,, GENERATOR, 3TNE82A-BVA, 3TNE82A-EBVA,,
2,16,, "GASKET SET & TOOLS", 3TNE82A-BVA, 3TNE82A-EBVA,,

Silverhorn.CO.UK